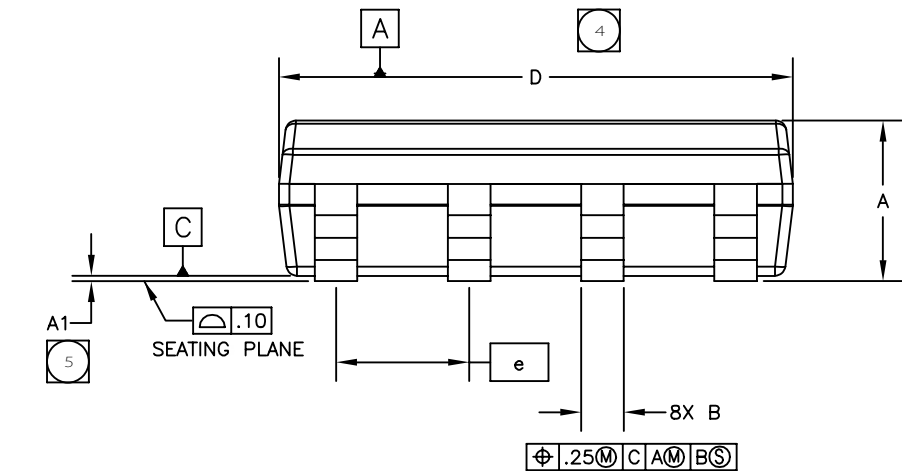
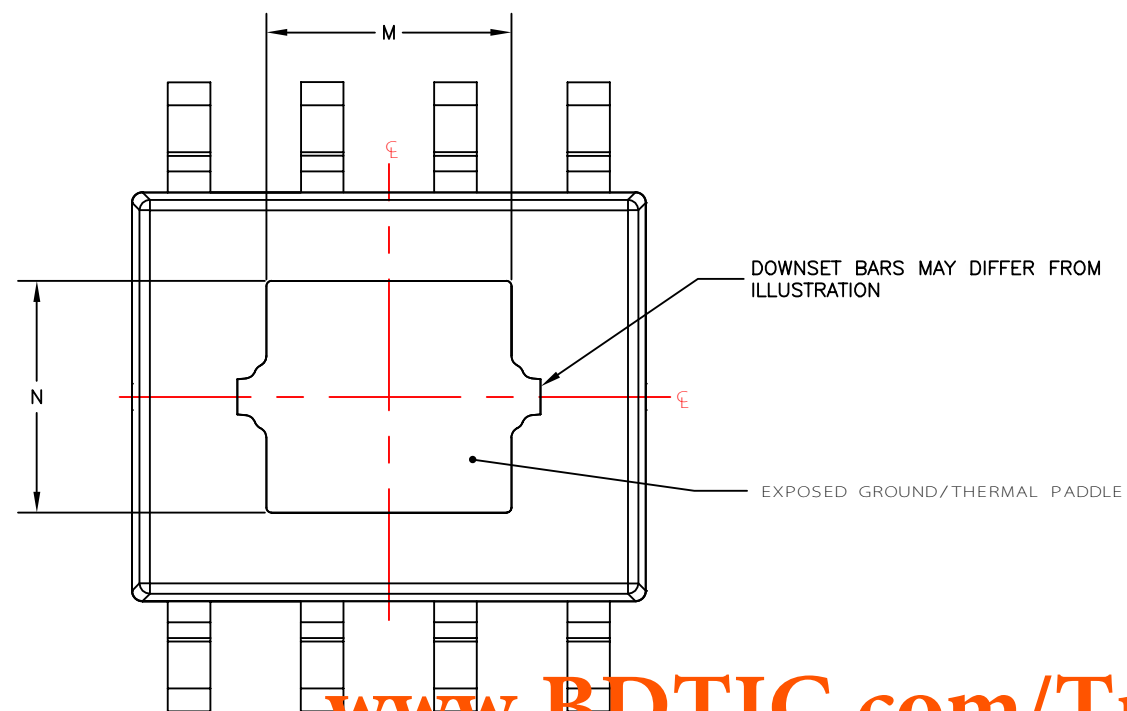


$\phi .25 \text{ (M)} \text{ (B)} \text{ (M)}$

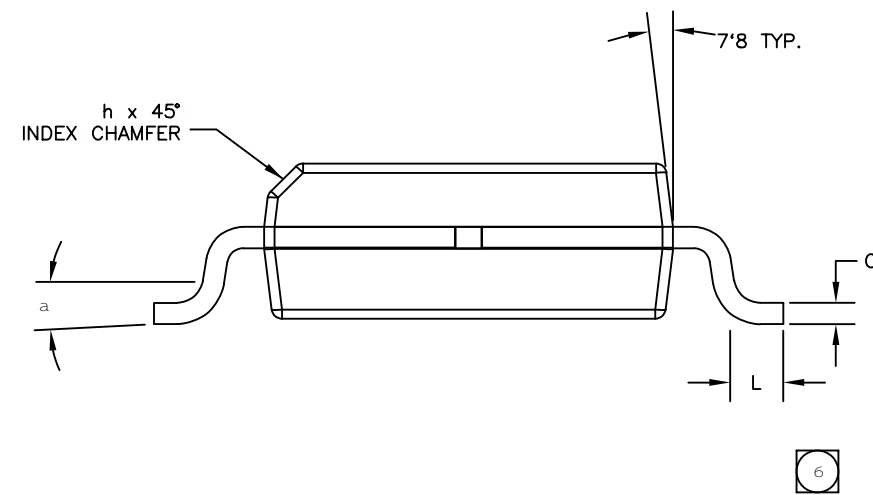


$\phi .25 \text{ (M)} \text{ (C)} \text{ (A)} \text{ (M)} \text{ (B)} \text{ (S)}$



NOTES:

- EXCEPT WHERE NOTED, THIS PART OUTLINE CONFORMS TO JEDEC STANDARD MS-012, ISSUE C FOR SMALL OUTLINE (SO) PERIPHERAL TERMINALS 3.75mm BODY WIDTH (PLASTIC).
- DIMENSIONING & TOLERANCING CONFORM TO ANSI Y14.4M-1994.
- ALL DIMENSIONS ARE IN MILLIMETERS (INCHES). ANGLES ARE IN DEGREES.
- 4 DOES NOT INCLUDE MOLD FLASH, PROTRUSIONS OR GATE BURRS, WHICH SHALL NOT EXCEED .15mm(.006in) PER SIDE.
- 5 DEVIATION FROM JEDEC MS-012 STANDARD.
- 6 LENGTH OF TERMINAL FOR SOLDERING TO A SUBSTRATE.
- 7 DOES NOT INCLUDE INTER-LEAD FLASH OR PROTRUSIONS, WHICH SHALL NOT EXCEED .25mm(.010in) PER SIDE.



SYMBOL	MILLIMETERS			INCHES		
	MIN	NOM	MAX	MIN	NOM	MAX
5 A	1.42	1.52	1.62	.056	.060	.064
5 A1	0	.05	.10	0	.002	.004
5 B	.38	.41	.43	.015	.016	.017
C	.19	.20	.25	.007	.008	.010
D	4.80	4.90	5.00	.189	.193	.197
E	3.80	3.90	4.00	.150	.154	.157
e	1.27 BSC			.050 BSC		
H	5.80	6.0	6.20	.228	.236	.244
h	.25	.33	.50	.01	.013	.02
L	.40	.84	1.27	.016	.033	.050
5 M	2.21	2.34	2.47	.087	.092	.097
5 N	2.08	2.21	2.34	.082	.087	.092
	4.8	8.8		0	4.8	8.8