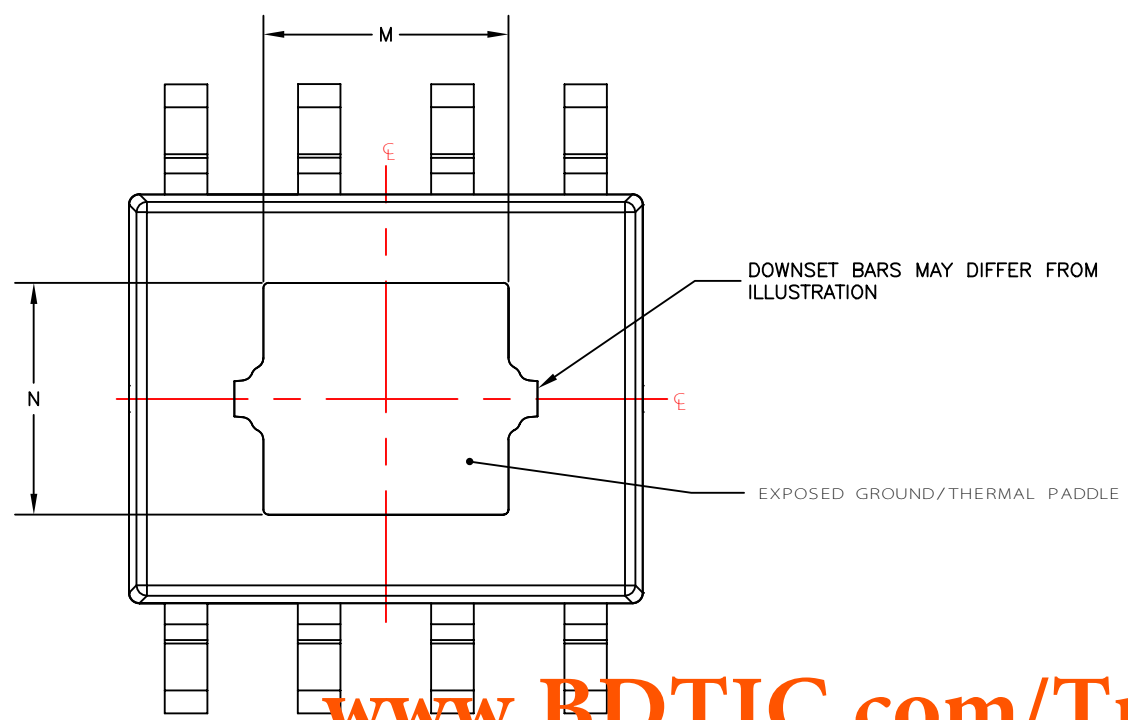
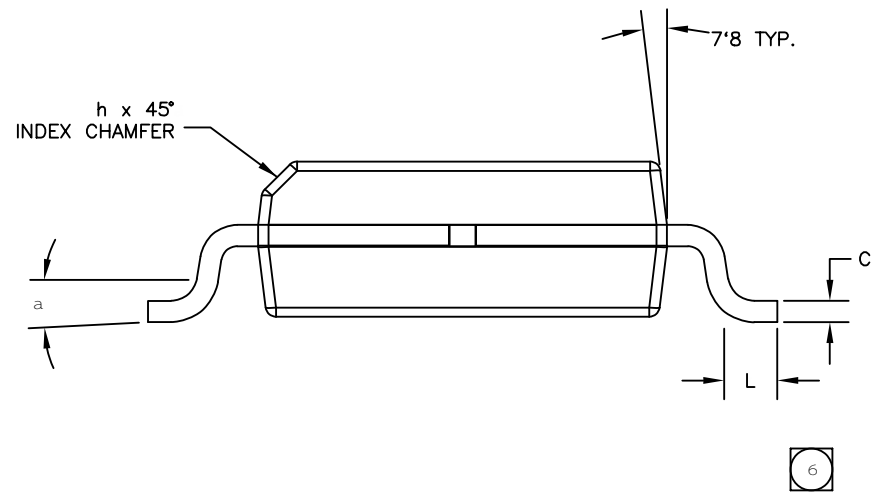
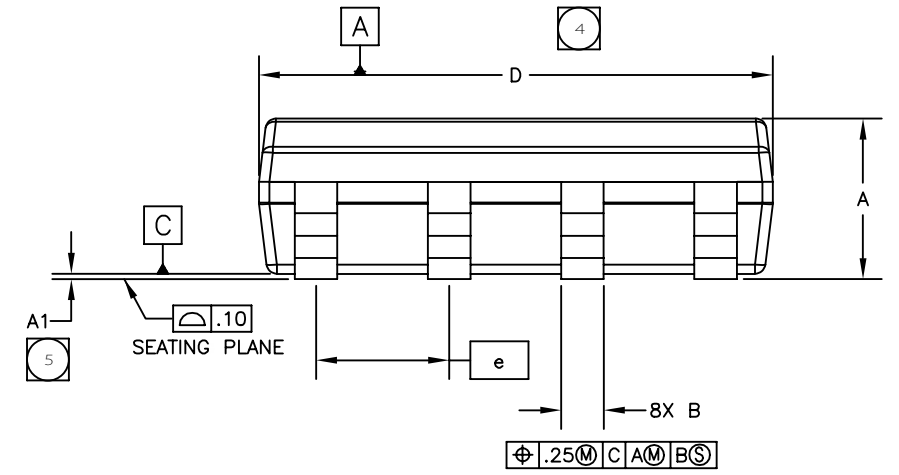


$\phi .25 \text{ (M)} \text{ (B)} \text{ (M)}$



NOTES:

- EXCEPT WHERE NOTED, THIS PART OUTLINE CONFORMS TO JEDEC STANDARD MS-012, ISSUE C FOR SMALL OUTLINE (SO) PERIPHERAL TERMINALS 3.75mm BODY WIDTH (PLASTIC).
- DIMENSIONING & TOLERANCING CONFORM TO ANSI Y14.4M-1994.
- ALL DIMENSIONS ARE IN MILLIMETERS (INCHES). ANGLES ARE IN DEGREES.
- 4 DOES NOT INCLUDE MOLD FLASH, PROTRUSIONS OR GATE BURRS, WHICH SHALL NOT EXCEED .15mm(.006in) PER SIDE.
- 5 DEVIATION FROM JEDEC MS-012 STANDARD.
- 6 LENGTH OF TERMINAL FOR SOLDERING TO A SUBSTRATE.
- 7 DOES NOT INCLUDE INTER-LEAD FLASH OR PROTRUSIONS, WHICH SHALL NOT EXCEED .25mm(.010in) PER SIDE.

5
5
5

5
5

| SYMBOL | MILLIMETERS | | | INCHES | | |
|--------|-------------|------|------|----------|------|------|
| | MIN | NOM | MAX | MIN | NOM | MAX |
| A | 1.42 | 1.52 | 1.62 | .056 | .060 | .064 |
| A1 | 0 | .05 | .10 | 0 | .002 | .004 |
| B | .38 | .41 | .43 | .015 | .016 | .017 |
| C | .19 | .20 | .25 | .007 | .008 | .010 |
| D | 4.80 | 4.90 | 5.00 | .189 | .193 | .197 |
| E | 3.80 | 3.90 | 4.00 | .150 | .154 | .157 |
| e | 1.27 BSC | | | .050 BSC | | |
| H | 5.80 | 6.0 | 6.20 | .228 | .236 | .244 |
| h | .25 | .33 | .50 | .01 | .013 | .02 |
| L | .40 | .84 | 1.27 | .016 | .033 | .050 |
| M | 2.21 | 2.34 | 2.47 | .087 | .092 | .097 |
| N | 2.08 | 2.21 | 2.34 | .082 | .087 | .092 |
| | 4.8 | 8.8 | | 0 | 4.8 | 8.8 |