

4

3

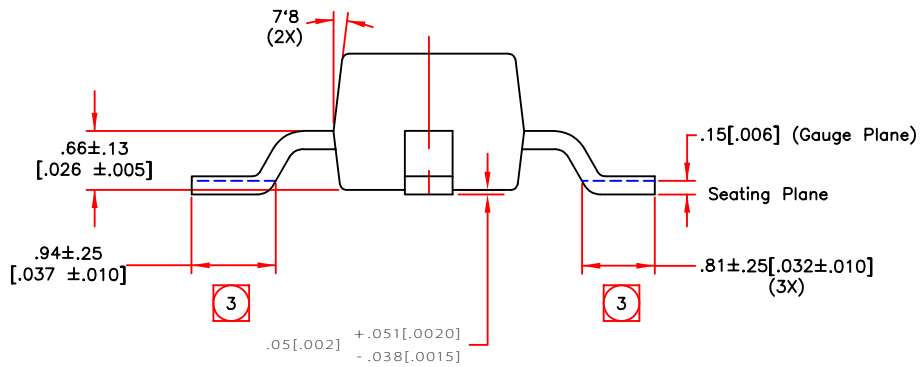
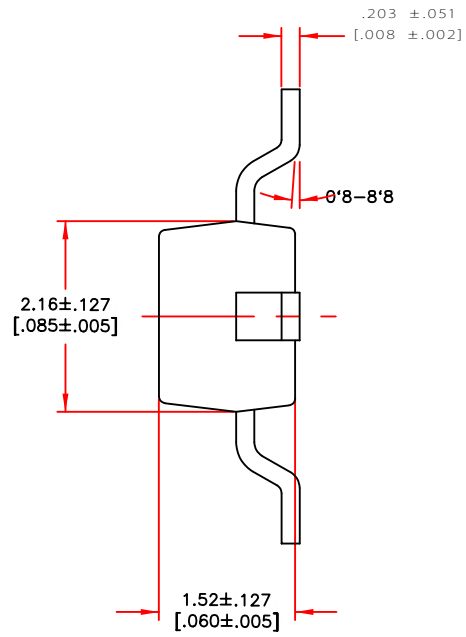
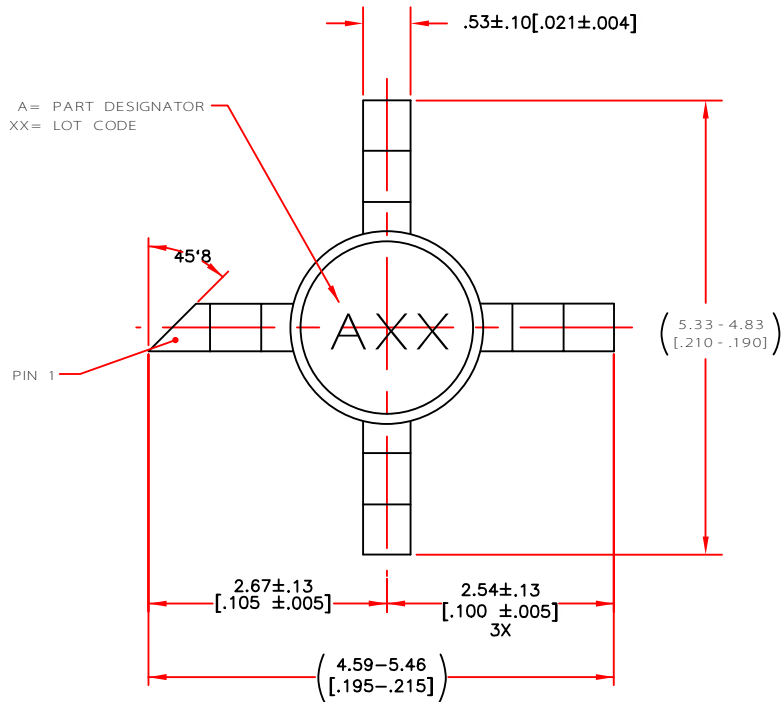
2

1

NOTES:

- 1. UNIT WEIGHT .XXX OUNCES MAX.
- 2. DIMENSIONS ARE IN MILLIMETERS [INCHES].
- 3. FOOT LENGTH MEASUREMENT IS BASED ON THE GAUGE PLANE METHOD.
- 4. TOLERANCE .XXX ± .381[.015]  
.XX ± .51[.02]

| REVISION |             |     |      |         |
|----------|-------------|-----|------|---------|
| REV      | DESCRIPTION | ECO | DATE | BY/APPD |
|          |             |     |      |         |



WJ COMMUNICATIONS PROPRIETARY INFORMATION

INTERFACE CONTROL DRAWING

www.BDTIC.com/TriQuint/

|               |          |   |                            |              |           |        |
|---------------|----------|---|----------------------------|--------------|-----------|--------|
| DR G. MARLEY  | 02-08-21 | COMMUNICATIONS, INC.<br>PALO ALTO, CALIFORNIA | ICD,<br>SOT - 86 (MICRO X) | SIZE         | CAGE CODE | REV    |
| CHK           | 02-08-21 |   |                            | C            | 14482     | 1      |
| ENG J. TOBIAS | 02-08-21 |   |                            | SCALE        | 1/1       | N/O NG |
| MFG A. MANZI  | 02-08-21 |   |                            | SHEET 1 OF 1 |           |        |