

# TQP369185

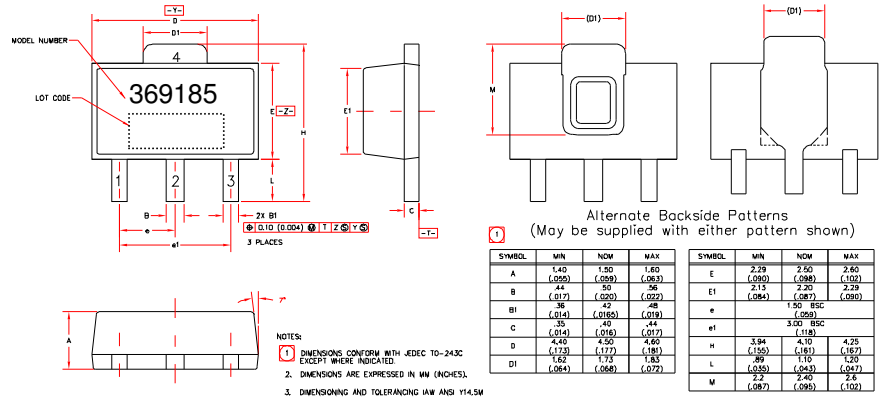
## DC-6 GHz Gain Block



### Mechanical Information

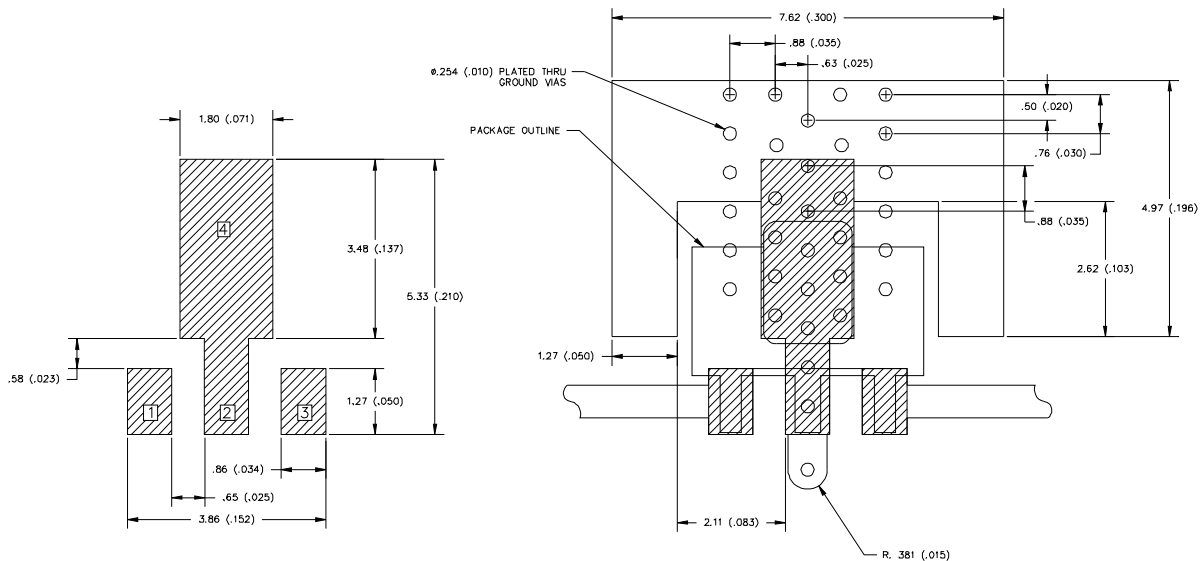
### Package Marking and Dimensions

The component will be marked on the top surface of package with a “369185” designator and an alphanumeric lot code.



### Mounting Configuration

All dimensions are in millimeters (inches). Angles are in degrees.



#### Notes:

1. Ground / thermal vias are critical for the proper performance of this device. Vias should use a .35mm (#80 / .0135”) diameter drill and have a final plated thru diameter of .25 mm (.010”).
2. Add as much copper as possible to inner and outer layers near the part to ensure optimal thermal performance.
3. RF trace width depends upon the PC board material and construction.
4. Use 1 oz. Copper minimum.