



XAPP358 (v1.2) December 2, 2002

# Wireless Transceiver for the CoolRunner CPLD

## Summary

This document focuses on the design of a wireless transceiver using CoolRunner™ CPLDs. The wireless transceiver is implemented using the CoolRunner demo board. The wireless transceiver is the perfect application of the low power capabilities of a CoolRunner CPLD. To obtain the VHDL code described below go to the section titled “**VHDL Disclaimer and Download Instructions**” on page 11. This design fits XCR3256XL CoolRunner or XC2C256 CoolRunner-II CPLDs.

## Introduction

A wireless transceiver consists of two modules; receive, and transmit. One CoolRunner demo board comprises the receive portion while the second demo board comprises the transmit portion. The design transmits the text string "CooLrUnnEr," which is displayed on both the transmit and receive demo boards. The wireless communication is controlled by an RF module designed by RF Monolithics, Inc. (RFM®).

The protocol designed for the wireless transceiver obeys a custom wireless communication protocol. A designer could change the protocol has needed to meet the needs of a specific application.

The addition of keyboard control is also covered in this document. The VHDL code is not provided for this portion of the design. With keyboard control, a user can enter a text string into the transmitter and the string would be display on the receive side of the transceiver. The keyboard described is manufactured by Fujitsu Takamisawa America, Inc. (FBK7603) (<http://www.fc.ai.fujitsu.com/pdf/FKB7601.pdf>).

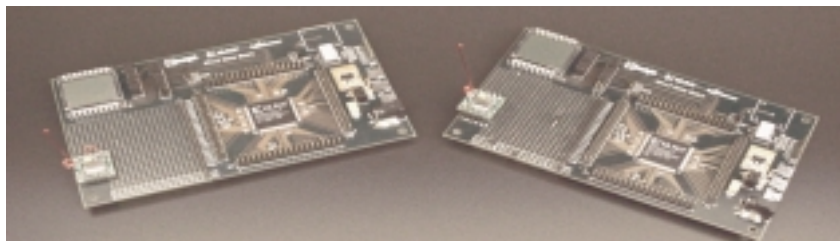


Figure 1: CoolRunner Wireless Transceiver

## CoolRunner CPLD Transceiver Operation

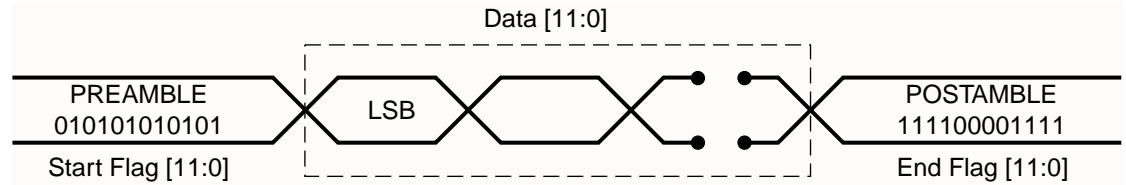
This section describes the operation of the transceiver. The communication protocol is a custom transmit and receive scheme, using Manchester encoding and Bit-Oriented Protocol (BOP) theory.

### Communication Protocol

The communication protocol is show in **Figure 2**. The preamble and postamble are used to contain the data to be transmitted. The total transmission is 36 bits. For error checking, the data is transmitted four times and compared to insure the proper data was received.

© 2002 Xilinx, Inc. All rights reserved. All Xilinx trademarks, registered trademarks, patents, and further disclaimers are as listed at <http://www.xilinx.com/legal.htm>. All other trademarks and registered trademarks are the property of their respective owners. All specifications are subject to change without notice.

NOTICE OF DISCLAIMER: Xilinx is providing this design, code, or information "as is." By providing the design, code, or information as one possible implementation of this feature, application, or standard, Xilinx makes no representation that this implementation is free from any claims of infringement. You are responsible for obtaining any rights you may require for your implementation. Xilinx expressly disclaims any warranty whatsoever with respect to the adequacy of the implementation, including but not limited to any warranties or representations that this implementation is free from claims of infringement and any implied warranties of merchantability or fitness for a particular purpose.



X358\_02\_062001

Figure 2: Communication Protocol

### Transmit

A Manchester encoding scheme is used between the transmit and receive modules. Manchester coding ensures that each bit of the data is D.C. balanced. Also, this coding scheme provides an edge within each bit period that can be used to align the receiver’s clock if needed. However, Manchester coding requires twice the bandwidth as compared to NRZ (Non-Return-to-Zero) codes. To decrease bandwidth, a symbol table is used. It consists of sixteen different symbols that can be generated using six bits which guarantees that no more than four consecutive bits are the same. This scheme requires only 1.5 times the bandwidth when compared with NRZ coding. For more information on Manchester and NRZ coding schemes, refer to the application note XAPP339 “Manchester Encoder-Decoder for Xilinx CPLDs” (<http://www.xilinx.com/xapp/xapp339.pdf>).

### Receive

BOP is utilized on the receive side of the transceiver. BOP takes advantage of opening and closing flag insertion and deletion and zero bit insertion and deletion. Once an edge is detected, the incoming data is sampled and stored in a shift register. Once the most significant bits are equal to the postamble, the 12-bit data is stored in a register. This process occurs four times. This insures the data has time to be displayed on the LCD of the CPLD demo board and allows for more accurate error checking.

## CoolRunner CPLD Transceiver Block Diagram

### Transmit

The transmit block diagram is shown in Figure 3. Transmission comprises of three VHDL entities; DISPLAY\_COUNT, SHIFT\_ENABLE, and SHIFT\_OUT. These three logic modules are controlled by the top level module, TX\_MODULE. DISPLAY\_COUNT controls the LCD common line, LCDCOM, which minimizes charging in the LCD. DISPLAY\_COUNT also controls the time between display states. Each state determines which two digits are displayed on the LCD. It pulses the SWITCH\_EN\_H signal when it is time to change to the next state. This control line tells the SHIFT\_ENABLE module to output the next state number, CUR\_STATE, to the CHANGE\_STATE look up table. When this is completed, it pulses the LOAD\_DATA\_H signal to tell the SHIFT\_OUT module to load the current state data, CUR\_STATE\_DATA, output by the CHANGE\_STATE look up table. This module also keeps track of how many transmissions have been sent. It pulses the LOAD\_DATA\_H signal four times for each state, controlling the time between transmissions. The data is sent four times to provide error checking on the receive side (See Receive). When SHIFT\_OUT observes that LOAD\_DATA\_H has been pulsed, it loads the current state data, and begins to send the data, with a preamble and postamble, one bit at a time, to the RF module.

The CONTROL signal is controlled by the TX MODULE which enables the RF MODULE to be in transmit mode. SYS\_CLK\_H and SYS\_RST\_L are external signals that are used as the system clock and the global system reset.

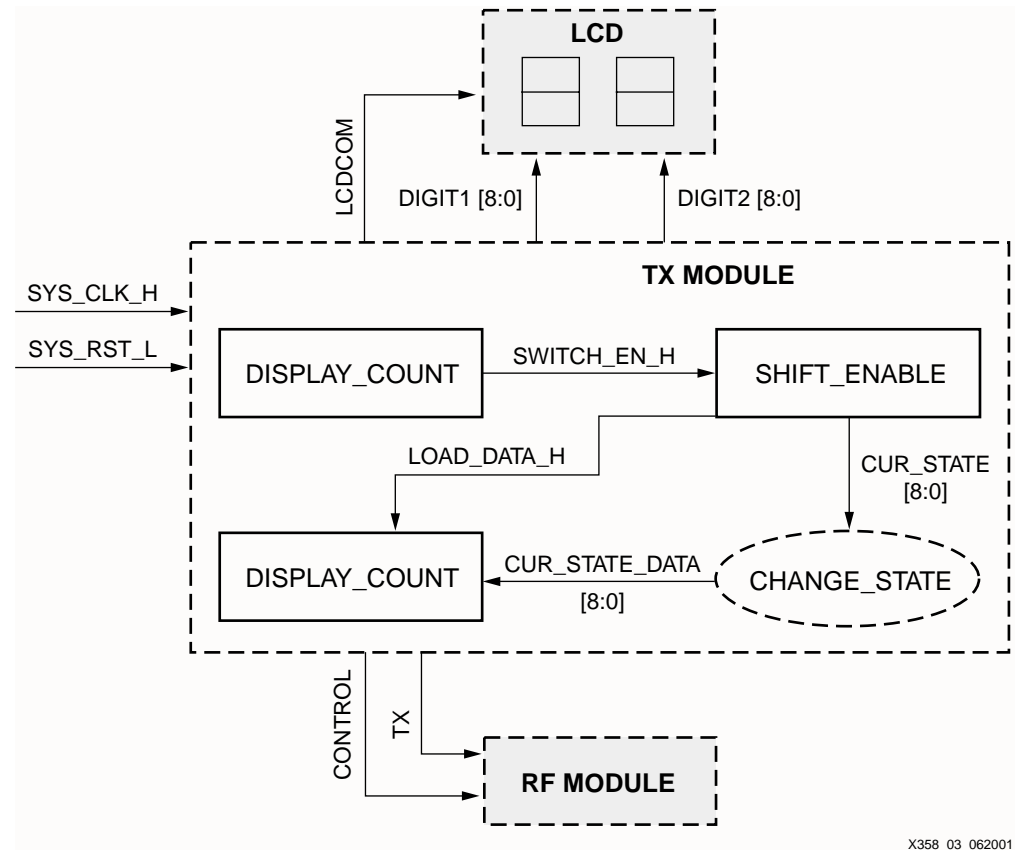


Figure 3: Transmit Module Block Diagram

## Receive

The receive block diagram is shown in Figure 4. The data is read on the RX pin and shifted into a 3-bit shift register, RXIN, on every clock cycle. When an edge is detected (a logic 1) in the least significant bits of RXIN, a counter is enabled. This counter counts to approximately 3/4 of the bit period (due to non-ideal conditions, see Figure 5), samples the data, and shifts the bit into a 36-bit data register, SHIFT\_DATA (see Figure 10). If there are consecutive bits in the stream, the counter continues to count 3/4 into the next bit period and samples the data again. If there is another edge detected, it restarts the counter, to keep the possibility of error due to drift to a minimum. Once the postamble is seen in the most significant 12 bits of the 36-bit shift register, the 12 bits of data are stored into a temporary register, REG1 through REG4, and the module gets ready for the next transmission. After the fourth transmission, if any two of the temporary registers are equal, the data is symbolized using the RX\_SYMBOLIZE function, and the data is sent to the LCD.

LDCOM minimizes charging in the LCD. The CONTROL signal is controlled by the receive MODULE which enables the RF MODULE to be in receive mode. SYS\_CLK\_H and SYS\_RST\_L are external signals that are used as the system clock and the global system reset.

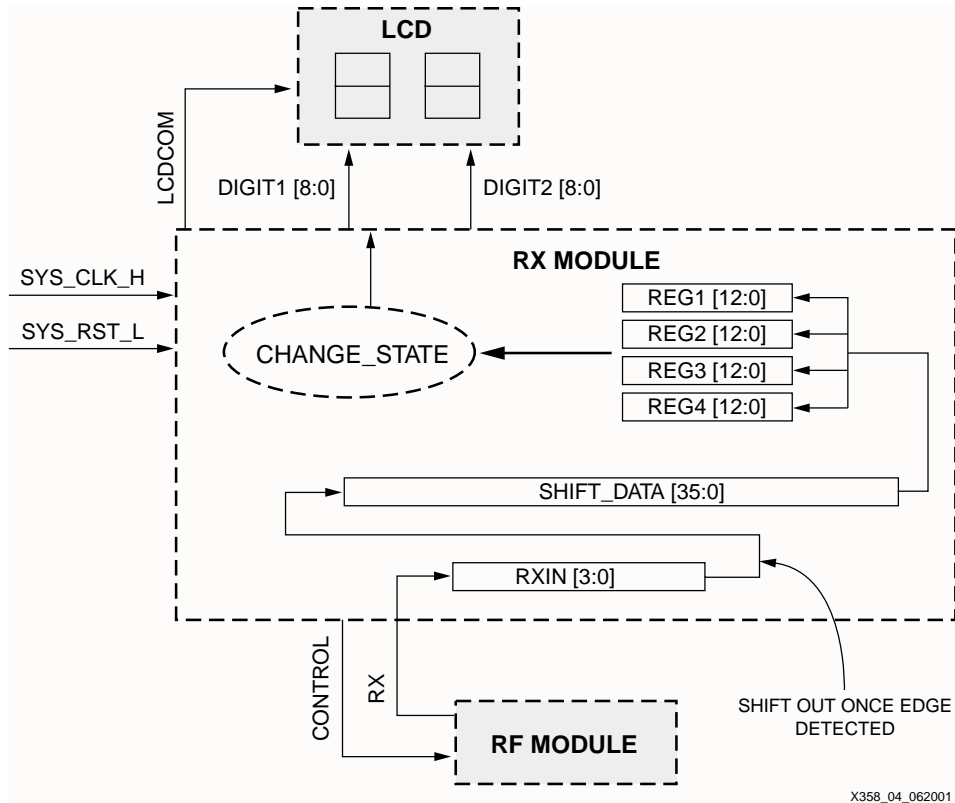


Figure 4: Receive Module Block Diagram

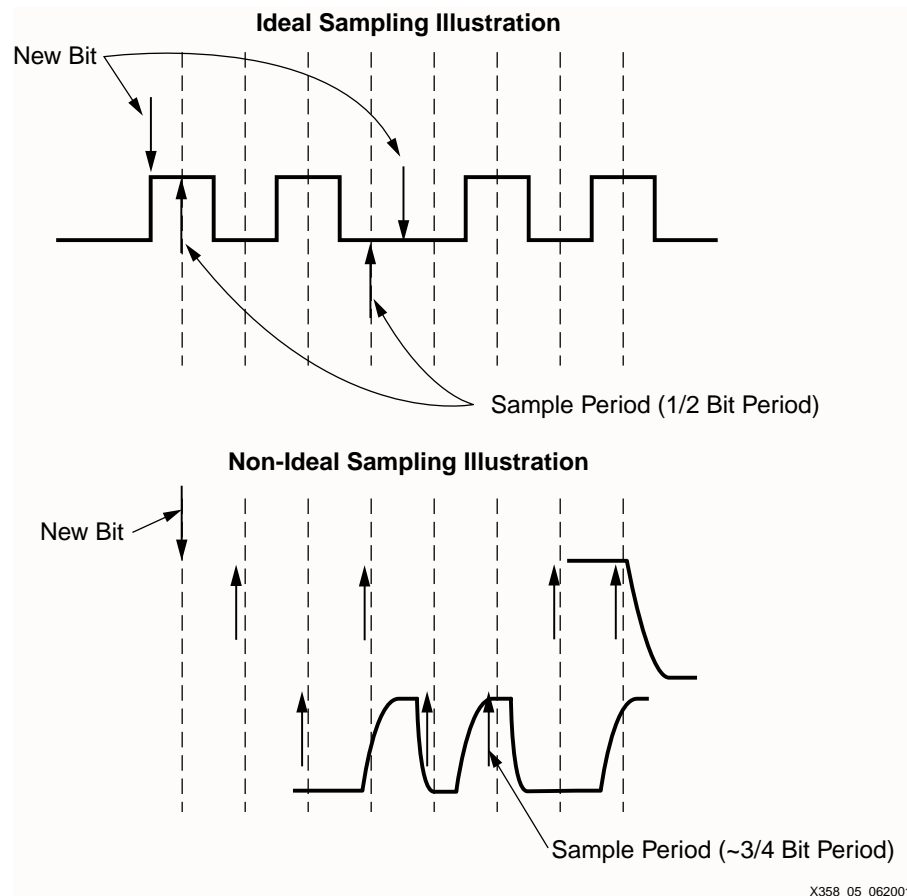
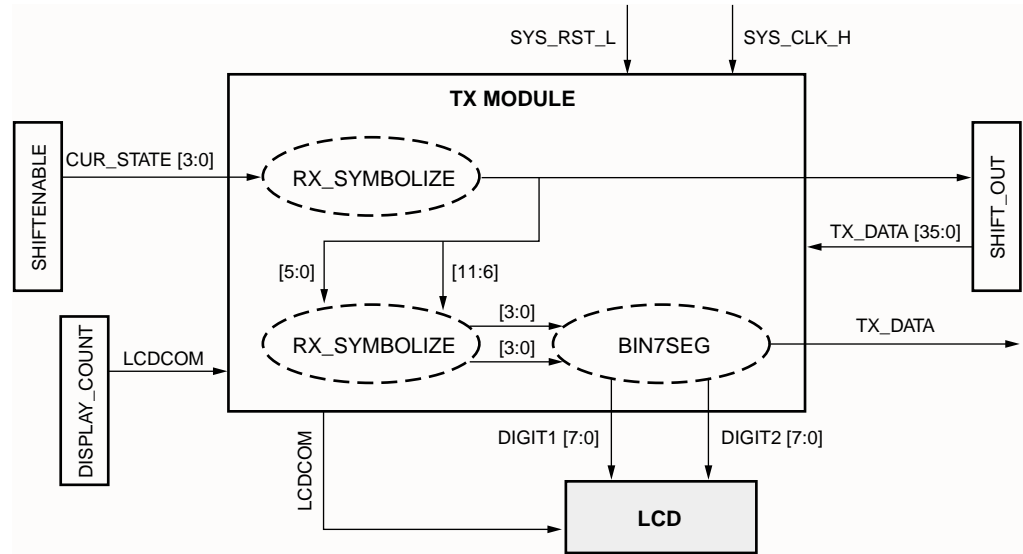


Figure 5: Receive Module Block Diagram

## CPLD Transmit Design

Transmit module contains the look up tables: CHANGE\_STATE, RX\_SYMBOLIZE, BIN7SEG. The latter two are used to display the letters being transmitted. CHANGE\_STATE changes the current state of TX\_MODULE (the data to be transmitted), which is sent from the SHIFT\_ENABLE logic module. The logic function RX\_SYMBOLIZE is a look up table to convert 6-bits of each digit of data into a 4-bit number. BIN7SEG is a lookup table that takes the 4-bit symbolized number from the RX\_SYMBOLIZE function and converts it into an 8-bit number sent to the LCD digits. The block diagram for TX\_MODULE is shown in **Figure 6**.

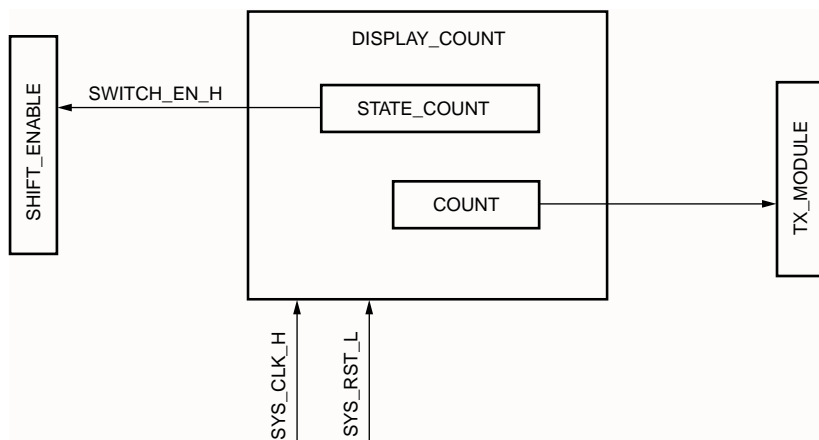


X358\_06\_062001

Figure 6: TX\_MODULE Block Diagram

## Display Count

The DISPLAY\_COUNT block diagram is shown in **Figure 7**. This logic module controls the time between each state and the LCDCOM signal. STATE\_COUNT is incremented and then enables SWITCH\_EN\_H. SWITCH\_EN\_H then enables the logic module SHIFT\_ENABLE to change state (transmit new data).



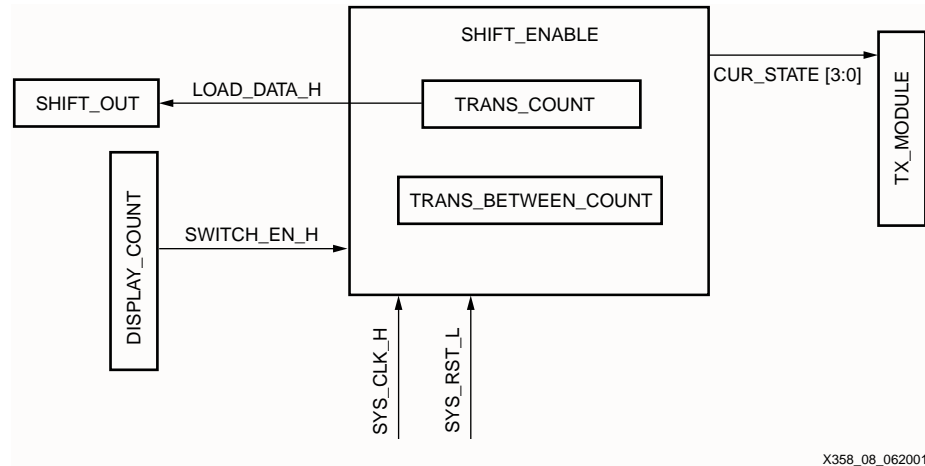
X358\_07\_062001

Figure 7: Display Count Block Diagram

### Shift Enable

The SHIFT\_ENABLE logic module increments the state variable to change states, and sends an edge to an enable signal (LOAD\_DATA\_H) to update a register in the SHIFT\_OUT module with the new state value. The block diagram is shown in Figure 8.

TRANS\_BETWEEN\_COUNT determines the time between each state. TRANS\_COUNT controls the number of transmissions between states.

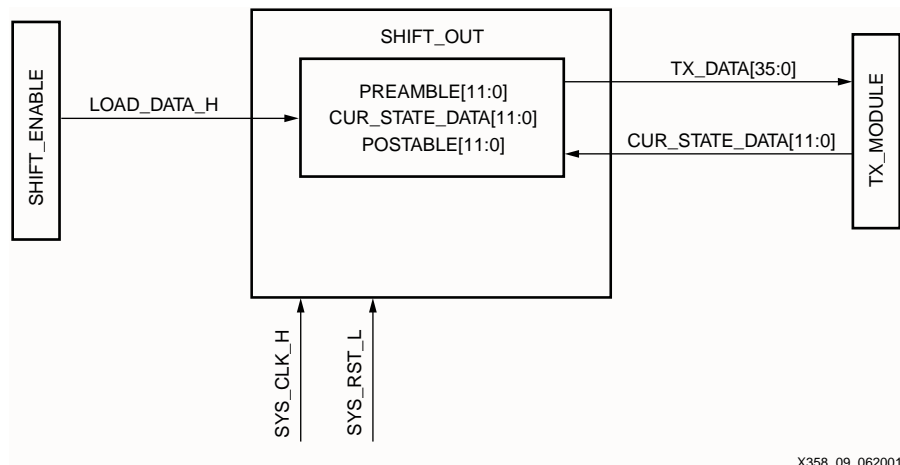


X358\_08\_062001

Figure 8: SHIFT\_ENABLE Block Diagram

### Shift Out

The SHIFT\_OUT logic module sends the TX\_DATA to TX\_MODULE for transmission. LOAD\_DATA\_H enables the SHIFT\_OUT module to load the current data. The block diagram is shown in Figure 9.



X358\_09\_062001

Figure 9: SHIFT\_OUT Block Diagram

## Receive Module Edge Detection

### Receive

The receiver operation is included in one receive VHDL entity shown in Figure 4. Figure 10 shows the edge detection and sampling scheme of the ideal sampling model. Once an edge is detected, a counter insures the correct sampling and thus the storing of transmitted data. If non-ideal conditions exist, the location of sampling may need to be changed (see Figure 5).

The counter size and value used to sample the incoming bits is determined by the system clock and the baud rate. The RF module allows for a baud rate between 2.4 Kbps to 19.2 Kbps. With

a 32.7 KHz clock, a 2.4 Kbps can be accurately modeled with a 5-bit counter. If the user wishes to change the baud rate, the value of the sampling counter must also be changed.

Further, the counter is re-initialized when an edge is detected. As previously discussed, this allows drift to be reduced to a minimum. Therefore, it is recommended that an encoding scheme which does not allow for long lengths of consecutive bits in the stream be used.

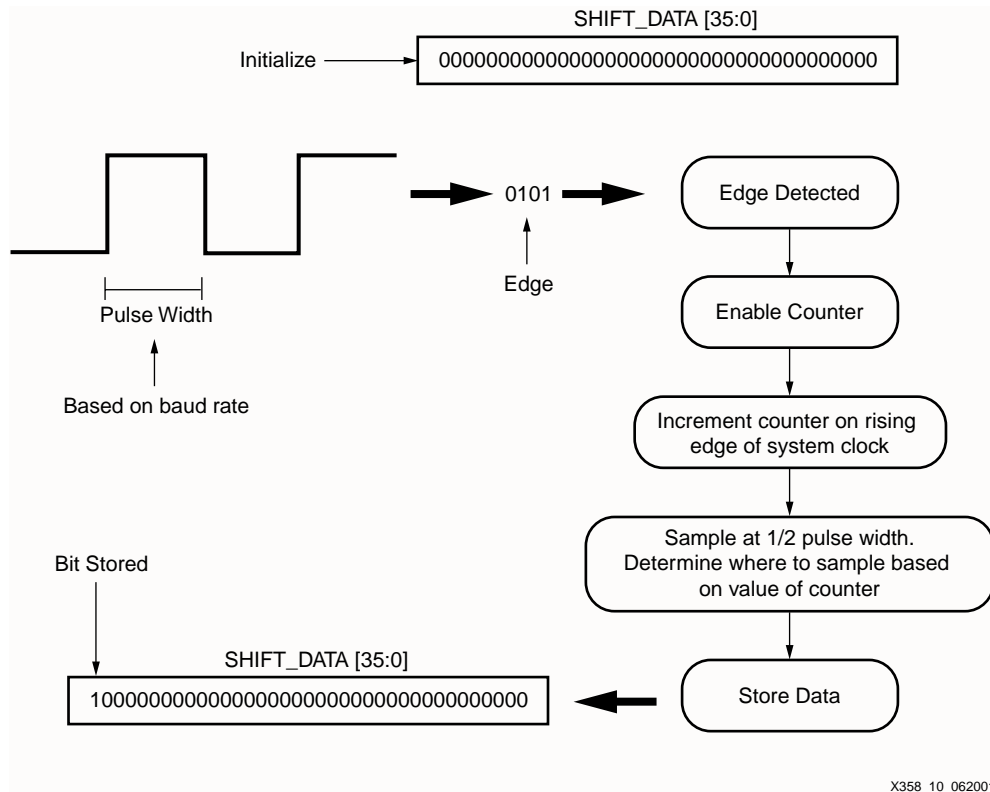


Figure 10: Receive Edge Detection

## Hardware Description

The following describes the hardware used to develop the CoolRunner CPLD wireless transceiver.

### RF Hardware

The RF transmission was preformed by the DR3000 module, manufactured RFM. The DR3000 is designed for short-range and low power applications with a carrier frequency of 916.5 MHz. Both On-Off Keyed (OOK) and Amplitude-Shift Keyed (ASK) modulation schemes are supported by the DR3000 module. The transceiver utilizes an Amplifier-Sequenced Hybrid (ASH) architecture and supports 2.4 to 19.2 Kbps baud rates. The baud rates can be controlled with additional hardware changes to the RF module. The CoolRunner transceiver utilizes the 2.4 Kbps transmission. The 2.4 baud rate was chosen due to the clock frequency available on the CPLD demo board.

### CPLD Hardware

The CoolRunner XPLA3 demo board from Insight Electronics is used for the CoolRunner wireless transceiver. The demo board contains a two-digit LCD, 32.768 KHz clock, prototyping area and the Xilinx CoolRunner XPLA3 XCR3256XL TQ144 CPLD.

### Hardware Setup

If using the AC adapter provided with the CoolRunner demo board, ensure that the resistor, R7 (refer to the DR300 data sheet), is removed from the DR3000. If R7 is not removed, the DR3000 will heat up and no longer function properly. Also, ensure the RF module is attached to a proper power/ground plane to minimize ground loops.

The DR3000 requires a level shifter to correctly drive the CPLD I/O pin (see Figure 11). The RF module can not drive loads stronger than 500k ohms.

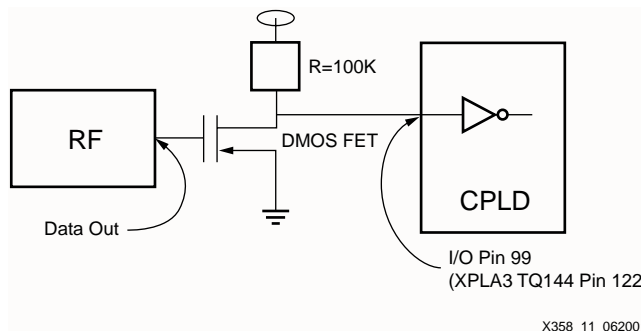


Figure 11: Additional MOSFET Circuitry

### Keyboard Entry Option

The following is a design implementation option for using keyboard entry with the CoolRunner wireless transceiver. CPLD design implementation is left to the user to develop.

#### PS/2® Protocol

The keyboard interfaces with the CPLD using the PS/2 protocol. The PS/2 protocol works on serial communication between a host and a peripheral device. The bus can be in three states: idle, inhibit, and request to send. The device can transmit a byte to the host only when the bus is idle. In order for the bus to be idle, both the CLK and DATA pins must be high (logic 1).

Table 1 is the pin layout for the PS/2 cable.

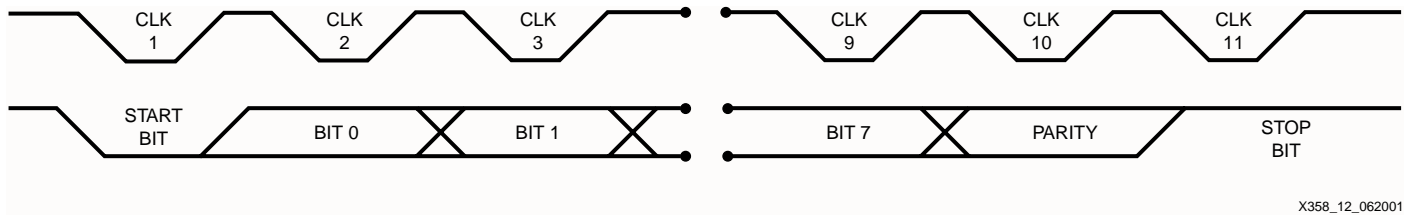
Table 1: PS/2 Cable Pin Configuration

Pin 1	PS/2 DATA
Pin 2	N/C
Pin 3	GROUND (0V)
Pin 4	POWER (+5V)
Pin 5	PS/2 CLK
Pin 6	N/C

The byte transmission includes a start bit (logic 0), eight data bits (LSB first), a parity bit (odd parity), and a stop bit (logic 1). The transmission occurs by having the device transmit a byte of



data by pulsing the CLK low and high 11 times, sampling the DATA line. Figure 12 depicts the waveform for one PS/2 transmission.



X358\_12\_062001

Figure 12: PS/2 Transmission Waveform

## Hardware Description

In order to use a keyboard, a keyboard encoder must be used to manipulate data. The keyboard encoder used for this implementation is the Semtech Greencoder™ (UR5HCFJL) Zero Power™ Keyboard Encoder for Portable Systems. This keyboard encoder is the device used between the keyboard and the peripheral device. It works on a matrix (8 X 16) format with the capability to support a 128 key keyboard. The keyboard encoder has three states that it operates in: sleep, stand by, and active. These states are used to efficiently manage power consumption, making this device a good fit for use with CoolRunner. The keyboard encoder used for this design implementation can function using 3V, 3.3V, or 5V and uses the PS/2 protocol to receive data from the keyboard.

## CoolRunner XPLA3 CPLD Implementation

The CoolRunner transceiver is built using the CoolRunner XPLA3 Development Kit from Insight Electronics. Table 2 details the I/O pins on the demo board to the pins used on the XPLA3 256 macrocell part in the TQ144 package.

Table 2: Prototyping Area I/O Cross Reference

Transceiver Signal	Prototyping Area I/O	XPLA3 Pin Number
RX	I/O 99	119
TX	I/O 106	138
CONTROL	I/O 104	136

The wireless transceiver Receive module utilization in an XPLA3 256-macrocell device is shown in Table 3. The total utilization for the Receive Module allows room for additions and/or improvements to the design.

Table 3: CoolRunner XPLA3 256-Macrocell Utilization for Receive

Resource	Available	Used	Utilization (%)
Macrocells	256	168	65.63
P-terms	768	465	60.55
I/O Pins	116	20	17.25

The Transmit module utilization in an XPLA 256-macrocell device is shown in Table 4. Again, the total utilization for the transmit portion of the design allows room for addition and/or improvements to the design.

Table 4: CoolRunner XPLA3-256 Macrocell Utilization for Transmit

Resource	Available	Used	Utilization (%)
Macrocells	256	118	46.10
P-terms	768	202	26.31
I/O Pins	116	20	17.25

## Design Verification

The design was verified in simulation and hardware implementation described previously in this document.

## VHDL Disclaimer and Download Instructions

VHDL source code and test benches are available for this design. THE DESIGN IS PROVIDED TO YOU "AS IS". XILINX MAKES AND YOU RECEIVE NO WARRANTIES OR CONDITIONS, EXPRESS, IMPLIED, STATUTORY, OR OTHERWISE, AND XILINX SPECIFICALLY DISCLAIMS ANY IMPLIED WARRANTIES OF MERCHANTABILITY, NON-INFRINGEMENT, OR FITNESS FOR A PARTICULAR PURPOSE. XILINX DOES NOT WARRANT THE PERFORMANCE, FUNCTIONALITY, OR OPERATION OF THIS DESIGN WILL MEET YOUR REQUIREMENTS, OR THAT THE OPERATION OF THE DESIGN WILL BE UNINTERRUPTED OR ERROR FREE, OR THAT DEFECTS IN THE DESIGN WILL BE CORRECTED. FURTHERMORE, XILINX DOES NOT WARRANT OR MAKE ANY REPRESENTATIONS REGARDING USE OR THE RESULTS OF THE USE OF THE DESIGN IN TERMS OF CORRECTNESS, ACCURACY, RELIABILITY OR OTHERWISE.

**XAPP358** - <http://www.xilinx.com/products/xaw/XAPP358.htm>

## Conclusion

This document has detailed the design of the CoolRunner CPLD logic for a wireless transceiver. The design is targeted for a 3.3V, 256 macrocell CoolRunner CPLD (XCR3256XL TQ144). This device, as well as the RF module discussed in this paper, has extremely low static and dynamic power dissipation and therefore is ideally suited for this application. The design of the CoolRunner wireless transceiver is also provided as an example of using a CoolRunner CPLD in a portable application and can be extended to many other types of portable applications

## References

1. Zetex Semiconductors Data Sheet - ZVNL110A N-Channel Enhancement Mode Vertical D(Double Diffused) MOS FET
2. USAR GreenCoder™ Evaluation Board Data Sheet - EVK5-FJL-7603-200
3. Anthes, John. "Unique Considerations for Data Radio UARTs." RF Monolithics, Inc.
4. RF Monolithics Data Sheet - DR3000 916.5 MHz Transceiver Module

## Acknowledgements

The CoolRunner wireless transceiver was developed with the senior design team (May 01) of the University of New Mexico (UNM), Electrical and Computer Engineering Department. Design team included: Erin Isaacson (Xilinx), Lisa Burckel (UNM), Jeremy Dencklau (UNM), Kristina Miller (UNM), Parveen Sidu (UNM).

Additional thanks to Jim Beneke, Dennis Schlaht, and Lara Kielytyka of Insight Electronics and Bruce DeVisser of Fujitsu Takamisawa who donated time and equipment to the transceiver project.

## Revision History

The following table shows the revision history for this document.

Date	Version	Revision
06/25/01	1.0	Initial Xilinx release.
10/01/02	1.1	Minor revisions
12/02/02	1.2	Updated link to the Fujitsu Takamisawa America, Inc. Keyboard



XAPP358 (v1.2) December 2, 2002

# Wireless Transceiver for the CoolRunner CPLD

## Summary

This document focuses on the design of a wireless transceiver using CoolRunner™ CPLDs. The wireless transceiver is implemented using the CoolRunner demo board. The wireless transceiver is the perfect application of the low power capabilities of a CoolRunner CPLD. To obtain the VHDL code described below go to the section titled “**VHDL Disclaimer and Download Instructions**” on page 11. This design fits XCR3256XL CoolRunner or XC2C256 CoolRunner-II CPLDs.

## Introduction

A wireless transceiver consists of two modules; receive, and transmit. One CoolRunner demo board comprises the receive portion while the second demo board comprises the transmit portion. The design transmits the text string "CooLrUnnEr," which is displayed on both the transmit and receive demo boards. The wireless communication is controlled by an RF module designed by RF Monolithics, Inc. (RFM®).

The protocol designed for the wireless transceiver obeys a custom wireless communication protocol. A designer could change the protocol has needed to meet the needs of a specific application.

The addition of keyboard control is also covered in this document. The VHDL code is not provided for this portion of the design. With keyboard control, a user can enter a text string into the transmitter and the string would be display on the receive side of the transceiver. The keyboard described is manufactured by Fujitsu Takamisawa America, Inc. (FBK7603) (<http://www.fc.ai.fujitsu.com/pdf/FKB7601.pdf>).

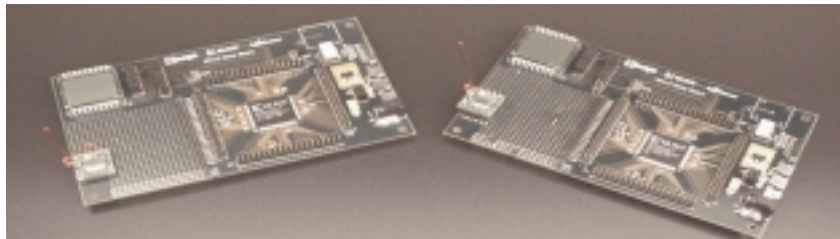


Figure 1: CoolRunner Wireless Transceiver

## CoolRunner CPLD Transceiver Operation

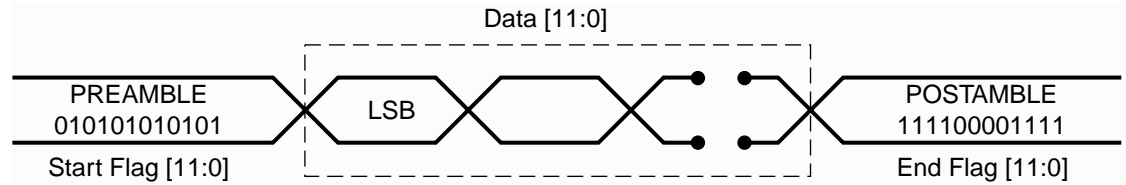
This section describes the operation of the transceiver. The communication protocol is a custom transmit and receive scheme, using Manchester encoding and Bit-Oriented Protocol (BOP) theory.

### Communication Protocol

The communication protocol is show in **Figure 2**. The preamble and postamble are used to contain the data to be transmitted. The total transmission is 36 bits. For error checking, the data is transmitted four times and compared to insure the proper data was received.

© 2002 Xilinx, Inc. All rights reserved. All Xilinx trademarks, registered trademarks, patents, and further disclaimers are as listed at <http://www.xilinx.com/legal.htm>. All other trademarks and registered trademarks are the property of their respective owners. All specifications are subject to change without notice.

NOTICE OF DISCLAIMER: Xilinx is providing this design, code, or information "as is." By providing the design, code, or information as one possible implementation of this feature, application, or standard, Xilinx makes no representation that this implementation is free from any claims of infringement. You are responsible for obtaining any rights you may require for your implementation. Xilinx expressly disclaims any warranty whatsoever with respect to the adequacy of the implementation, including but not limited to any warranties or representations that this implementation is free from claims of infringement and any implied warranties of merchantability or fitness for a particular purpose.



X358\_02\_062001

Figure 2: Communication Protocol

### Transmit

A Manchester encoding scheme is used between the transmit and receive modules. Manchester coding ensures that each bit of the data is D.C. balanced. Also, this coding scheme provides an edge within each bit period that can be used to align the receiver's clock if needed. However, Manchester coding requires twice the bandwidth as compared to NRZ (Non-Return-to-Zero) codes. To decrease bandwidth, a symbol table is used. It consists of sixteen different symbols that can be generated using six bits which guarantees that no more than four consecutive bits are the same. This scheme requires only 1.5 times the bandwidth when compared with NRZ coding. For more information on Manchester and NRZ coding schemes, refer to the application note XAPP339 "Manchester Encoder-Decoder for Xilinx CPLDs" (<http://www.xilinx.com/xapp/xapp339.pdf>).

### Receive

BOP is utilized on the receive side of the transceiver. BOP takes advantage of opening and closing flag insertion and deletion and zero bit insertion and deletion. Once an edge is detected, the incoming data is sampled and stored in a shift register. Once the most significant bits are equal to the postamble, the 12-bit data is stored in a register. This process occurs four times. This insures the data has time to be displayed on the LCD of the CPLD demo board and allows for more accurate error checking.

## CoolRunner CPLD Transceiver Block Diagram

### Transmit

The transmit block diagram is shown in Figure 3. Transmission comprises of three VHDL entities; DISPLAY\_COUNT, SHIFT\_ENABLE, and SHIFT\_OUT. These three logic modules are controlled by the top level module, TX\_MODULE. DISPLAY\_COUNT controls the LCD common line, LCDCOM, which minimizes charging in the LCD. DISPLAY\_COUNT also controls the time between display states. Each state determines which two digits are displayed on the LCD. It pulses the SWITCH\_EN\_H signal when it is time to change to the next state. This control line tells the SHIFT\_ENABLE module to output the next state number, CUR\_STATE, to the CHANGE\_STATE look up table. When this is completed, it pulses the LOAD\_DATA\_H signal to tell the SHIFT\_OUT module to load the current state data, CUR\_STATE\_DATA, output by the CHANGE\_STATE look up table. This module also keeps track of how many transmissions have been sent. It pulses the LOAD\_DATA\_H signal four times for each state, controlling the time between transmissions. The data is sent four times to provide error checking on the receive side (See Receive). When SHIFT\_OUT observes that LOAD\_DATA\_H has been pulsed, it loads the current state data, and begins to send the data, with a preamble and postamble, one bit at a time, to the RF module.

The CONTROL signal is controlled by the TX MODULE which enables the RF MODULE to be in transmit mode. SYS\_CLK\_H and SYS\_RST\_L are external signals that are used as the system clock and the global system reset.

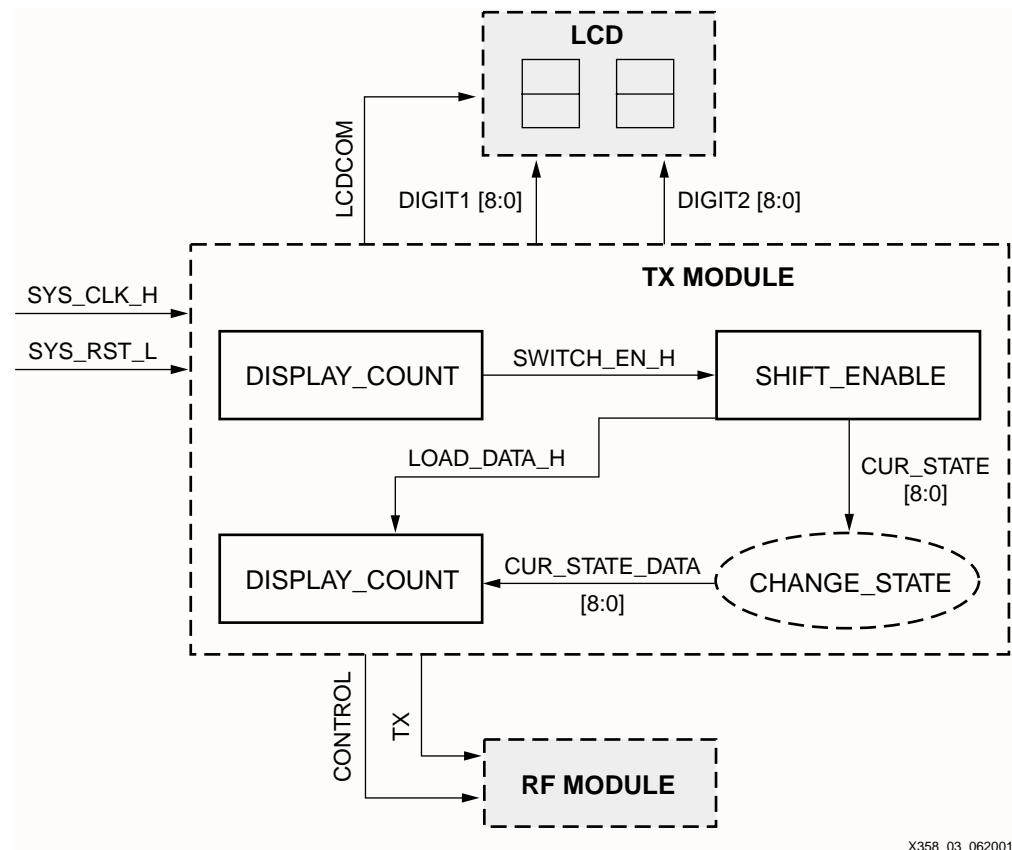


Figure 3: Transmit Module Block Diagram

## Receive

The receive block diagram is shown in Figure 4. The data is read on the RX pin and shifted into a 3-bit shift register, RXIN, on every clock cycle. When an edge is detected (a logic 1) in the least significant bits of RXIN, a counter is enabled. This counter counts to approximately 3/4 of the bit period (due to non-ideal conditions, see Figure 5), samples the data, and shifts the bit into a 36-bit data register, SHIFT\_DATA (see Figure 10). If there are consecutive bits in the stream, the counter continues to count 3/4 into the next bit period and samples the data again. If there is another edge detected, it restarts the counter, to keep the possibility of error due to drift to a minimum. Once the postamble is seen in the most significant 12 bits of the 36-bit shift register, the 12 bits of data are stored into a temporary register, REG1 through REG4, and the module gets ready for the next transmission. After the fourth transmission, if any two of the temporary registers are equal, the data is symbolized using the RX\_SYMBOLIZE function, and the data is sent to the LCD.

LDCOM minimizes charging in the LCD. The CONTROL signal is controlled by the receive MODULE which enables the RF MODULE to be in receive mode. SYS\_CLK\_H and SYS\_RST\_L are external signals that are used as the system clock and the global system reset.

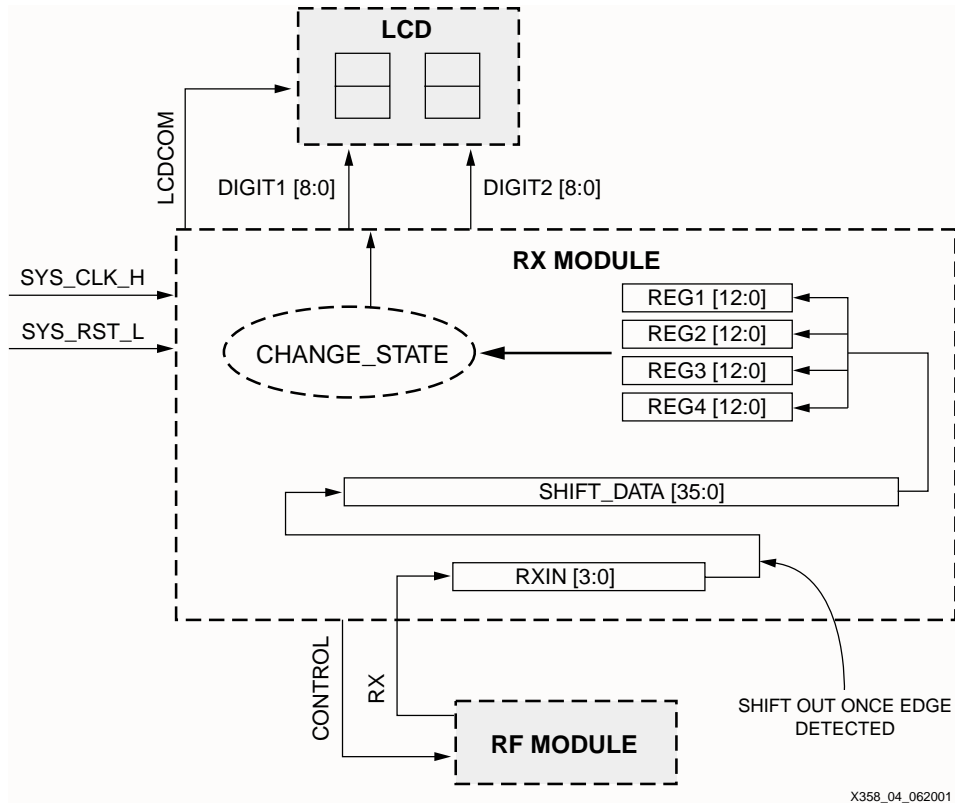


Figure 4: Receive Module Block Diagram

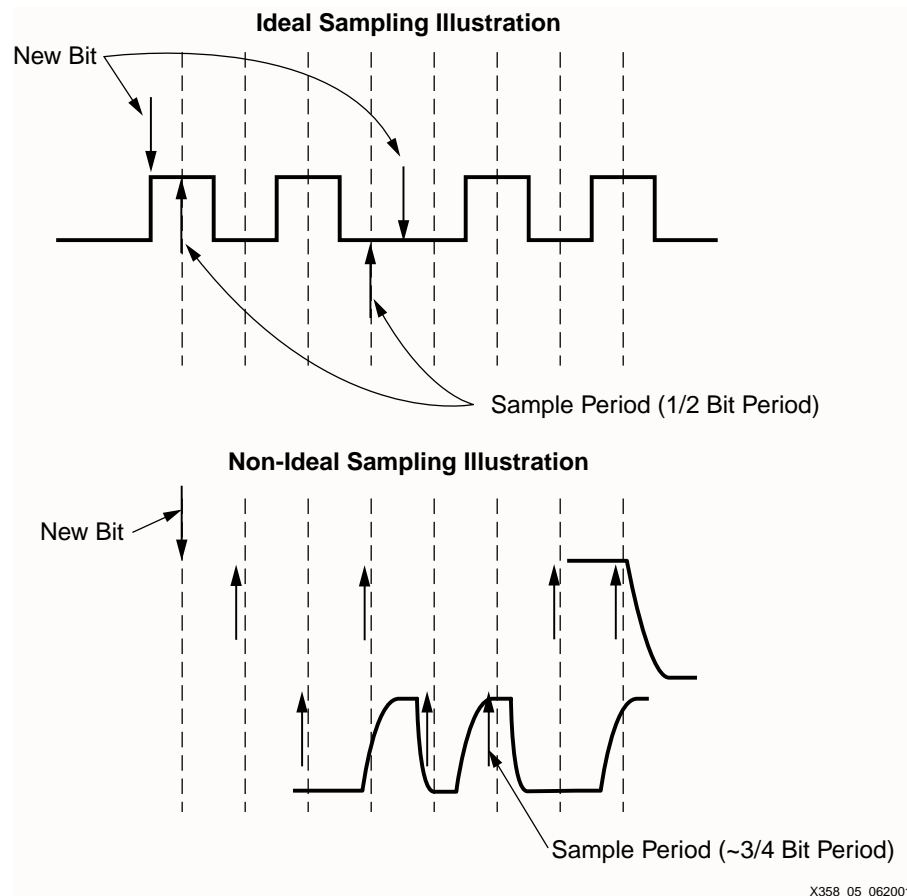
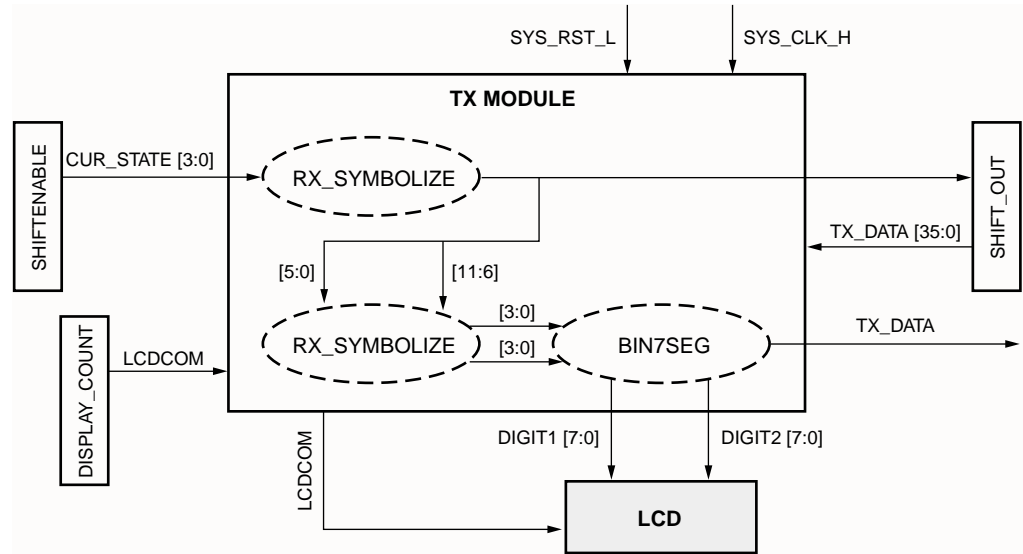


Figure 5: Receive Module Block Diagram

## CPLD Transmit Design

Transmit module contains the look up tables: CHANGE\_STATE, RX\_SYMBOLIZE, BIN7SEG. The latter two are used to display the letters being transmitted. CHANGE\_STATE changes the current state of TX\_MODULE (the data to be transmitted), which is sent from the SHIFT\_ENABLE logic module. The logic function RX\_SYMBOLIZE is a look up table to convert 6-bits of each digit of data into a 4-bit number. BIN7SEG is a lookup table that takes the 4-bit symbolized number from the RX\_SYMBOLIZE function and converts it into an 8-bit number sent to the LCD digits. The block diagram for TX\_MODULE is shown in Figure 6.

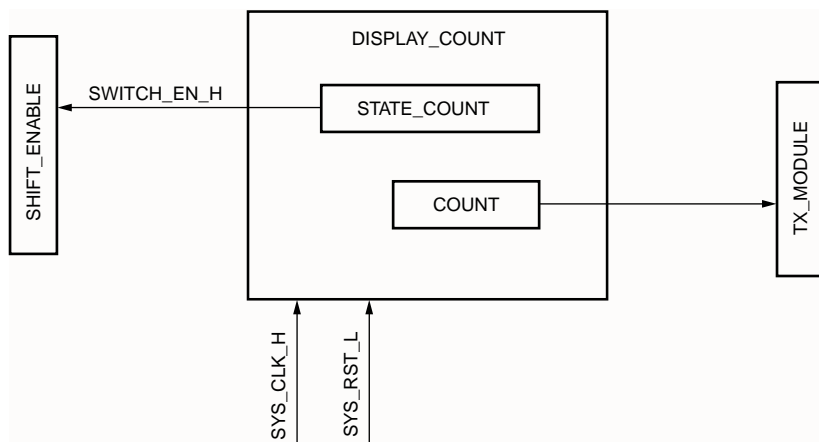


X358\_06\_062001

Figure 6: TX\_MODULE Block Diagram

## Display Count

The DISPLAY\_COUNT block diagram is shown in Figure 7. This logic module controls the time between each state and the LCDCOM signal. STATE\_COUNT is incremented and then enables SWITCH\_EN\_H. SWITCH\_EN\_H then enables the logic module SHIFT\_ENABLE to change state (transmit new data).



X358\_07\_062001

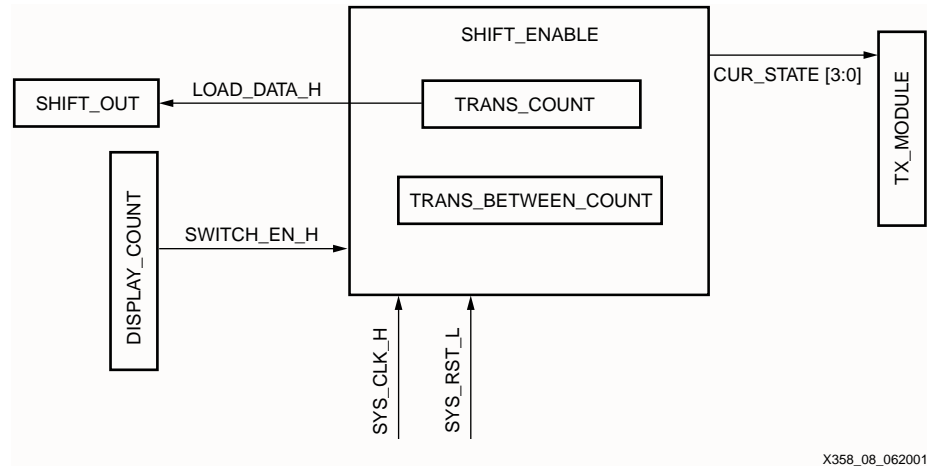
Figure 7: Display Count Block Diagram



### Shift Enable

The SHIFT\_ENABLE logic module increments the state variable to change states, and sends an edge to an enable signal (LOAD\_DATA\_H) to update a register in the SHIFT\_OUT module with the new state value. The block diagram is shown in Figure 8.

TRANS\_BETWEEN\_COUNT determines the time between each state. TRANS\_COUNT controls the number of transmissions between states.

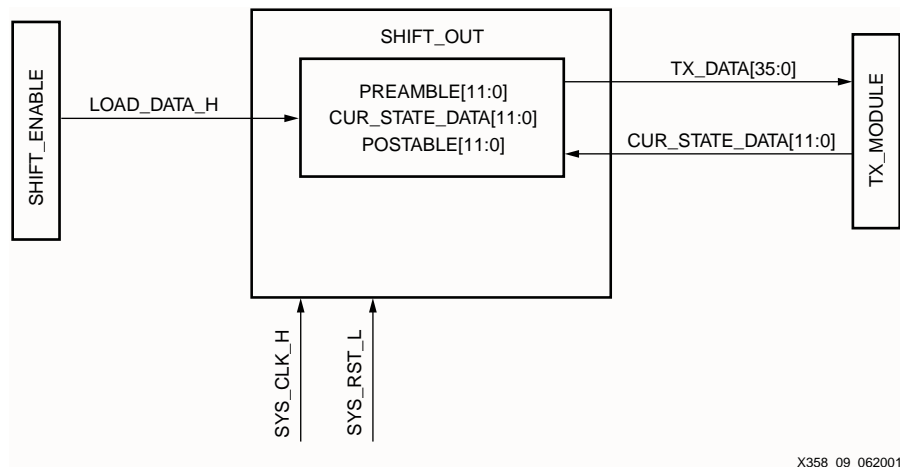


X358\_08\_062001

Figure 8: SHIFT\_ENABLE Block Diagram

### Shift Out

The SHIFT\_OUT logic module sends the TX\_DATA to TX\_MODULE for transmission. LOAD\_DATA\_H enables the SHIFT\_OUT module to load the current data. The block diagram is shown in Figure 9.



X358\_09\_062001

Figure 9: SHIFT\_OUT Block Diagram

## Receive Module Edge Detection

### Receive

The receiver operation is included in one receive VHDL entity shown in Figure 4. Figure 10 shows the edge detection and sampling scheme of the ideal sampling model. Once an edge is detected, a counter insures the correct sampling and thus the storing of transmitted data. If non-ideal conditions exist, the location of sampling may need to be changed (see Figure 5).

The counter size and value used to sample the incoming bits is determined by the system clock and the baud rate. The RF module allows for a baud rate between 2.4 Kbps to 19.2 Kbps. With

a 32.7 KHz clock, a 2.4 Kbps can be accurately modeled with a 5-bit counter. If the user wishes to change the baud rate, the value of the sampling counter must also be changed.

Further, the counter is re-initialized when an edge is detected. As previously discussed, this allows drift to be reduced to a minimum. Therefore, it is recommended that an encoding scheme which does not allow for long lengths of consecutive bits in the stream be used.

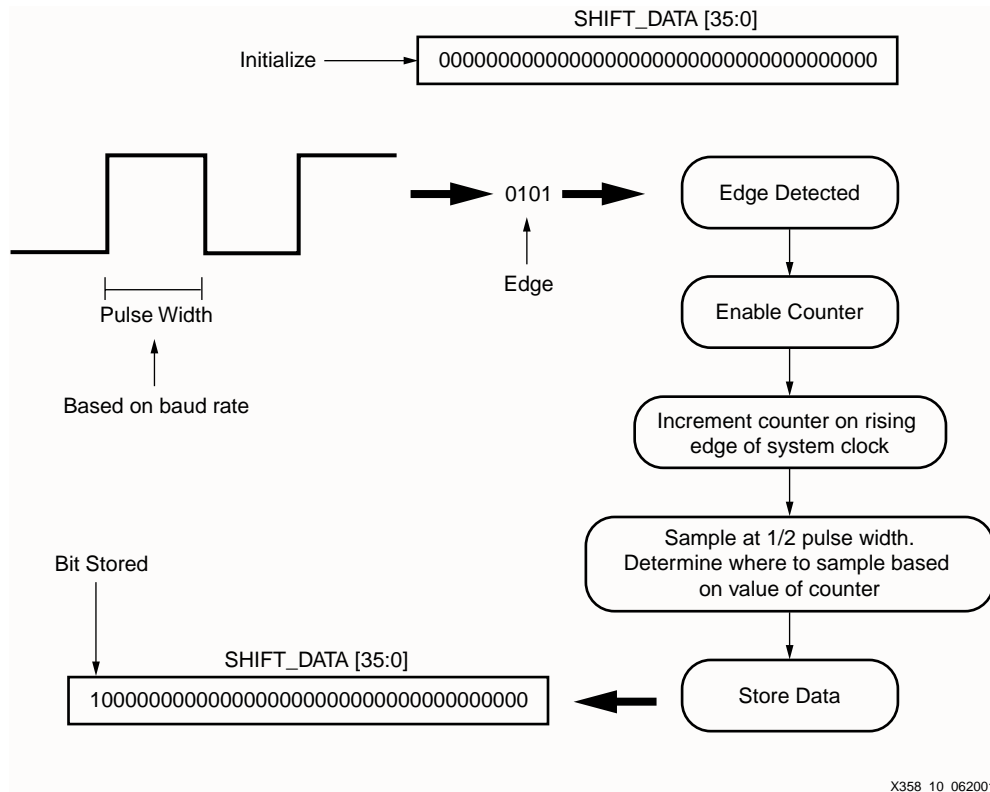


Figure 10: Receive Edge Detection

## Hardware Description

The following describes the hardware used to develop the CoolRunner CPLD wireless transceiver.

### RF Hardware

The RF transmission was preformed by the DR3000 module, manufactured RFM. The DR3000 is designed for short-range and low power applications with a carrier frequency of 916.5 MHz. Both On-Off Keyed (OOK) and Amplitude-Shift Keyed (ASK) modulation schemes are supported by the DR3000 module. The transceiver utilizes an Amplifier-Sequenced Hybrid (ASH) architecture and supports 2.4 to 19.2 Kbps baud rates. The baud rates can be controlled with additional hardware changes to the RF module. The CoolRunner transceiver utilizes the 2.4 Kbps transmission. The 2.4 baud rate was chosen due to the clock frequency available on the CPLD demo board.

### CPLD Hardware

The CoolRunner XPLA3 demo board from Insight Electronics is used for the CoolRunner wireless transceiver. The demo board contains a two-digit LCD, 32.768 KHz clock, prototyping area and the Xilinx CoolRunner XPLA3 XCR3256XL TQ144 CPLD.

### Hardware Setup

If using the AC adapter provided with the CoolRunner demo board, ensure that the resistor, R7 (refer to the DR300 data sheet), is removed from the DR3000. If R7 is not removed, the DR3000 will heat up and no longer function properly. Also, ensure the RF module is attached to a proper power/ground plane to minimize ground loops.

The DR3000 requires a level shifter to correctly drive the CPLD I/O pin (see Figure 11). The RF module can not drive loads stronger than 500k ohms.

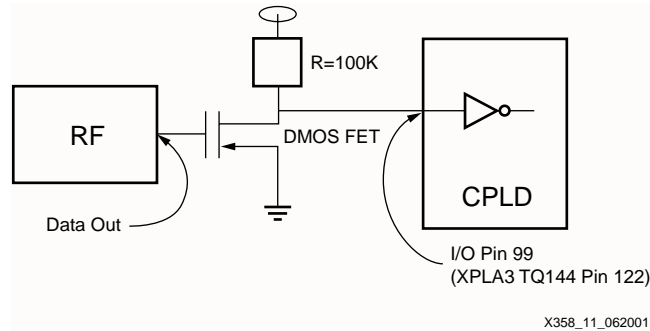


Figure 11: Additional MOSFET Circuitry

### Keyboard Entry Option

The following is a design implementation option for using keyboard entry with the CoolRunner wireless transceiver. CPLD design implementation is left to the user to develop.

#### PS/2® Protocol

The keyboard interfaces with the CPLD using the PS/2 protocol. The PS/2 protocol works on serial communication between a host and a peripheral device. The bus can be in three states: idle, inhibit, and request to send. The device can transmit a byte to the host only when the bus is idle. In order for the bus to be idle, both the CLK and DATA pins must be high (logic 1).

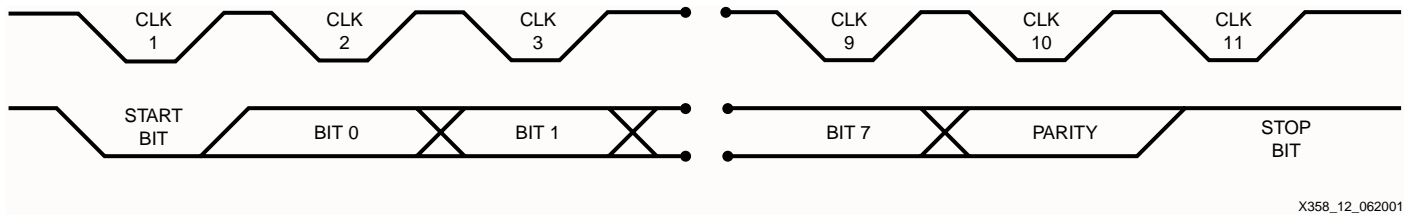
Table 1 is the pin layout for the PS/2 cable.

Table 1: PS/2 Cable Pin Configuration

Pin 1	PS/2 DATA
Pin 2	N/C
Pin 3	GROUND (0V)
Pin 4	POWER (+5V)
Pin 5	PS/2 CLK
Pin 6	N/C

The byte transmission includes a start bit (logic 0), eight data bits (LSB first), a parity bit (odd parity), and a stop bit (logic 1). The transmission occurs by having the device transmit a byte of

data by pulsing the CLK low and high 11 times, sampling the DATA line. Figure 12 depicts the waveform for one PS/2 transmission.



X358\_12\_062001

Figure 12: PS/2 Transmission Waveform

## Hardware Description

In order to use a keyboard, a keyboard encoder must be used to manipulate data. The keyboard encoder used for this implementation is the Semtech Greencoder™ (UR5HCFJL) Zero Power™ Keyboard Encoder for Portable Systems. This keyboard encoder is the device used between the keyboard and the peripheral device. It works on a matrix (8 X 16) format with the capability to support a 128 key keyboard. The keyboard encoder has three states that it operates in: sleep, stand by, and active. These states are used to efficiently manage power consumption, making this device a good fit for use with CoolRunner. The keyboard encoder used for this design implementation can function using 3V, 3.3V, or 5V and uses the PS/2 protocol to receive data from the keyboard.

## CoolRunner XPLA3 CPLD Implementation

The CoolRunner transceiver is built using the CoolRunner XPLA3 Development Kit from Insight Electronics. Table 2 details the I/O pins on the demo board to the pins used on the XPLA3 256 macrocell part in the TQ144 package.

Table 2: Prototyping Area I/O Cross Reference

Transceiver Signal	Prototyping Area I/O	XPLA3 Pin Number
RX	I/O 99	119
TX	I/O 106	138
CONTROL	I/O 104	136

The wireless transceiver Receive module utilization in an XPLA3 256-macrocell device is shown in Table 3. The total utilization for the Receive Module allows room for additions and/or improvements to the design.

Table 3: CoolRunner XPLA3 256-Macrocell Utilization for Receive

Resource	Available	Used	Utilization (%)
Macrocells	256	168	65.63
P-terms	768	465	60.55
I/O Pins	116	20	17.25

The Transmit module utilization in an XPLA 256-macrocell device is shown in Table 4. Again, the total utilization for the transmit portion of the design allows room for addition and/or improvements to the design.

Table 4: CoolRunner XPLA3-256 Macrocell Utilization for Transmit

Resource	Available	Used	Utilization (%)
Macrocells	256	118	46.10
P-terms	768	202	26.31
I/O Pins	116	20	17.25

## Design Verification

The design was verified in simulation and hardware implementation described previously in this document.

## VHDL Disclaimer and Download Instructions

VHDL source code and test benches are available for this design. THE DESIGN IS PROVIDED TO YOU "AS IS". XILINX MAKES AND YOU RECEIVE NO WARRANTIES OR CONDITIONS, EXPRESS, IMPLIED, STATUTORY, OR OTHERWISE, AND XILINX SPECIFICALLY DISCLAIMS ANY IMPLIED WARRANTIES OF MERCHANTABILITY, NON-INFRINGEMENT, OR FITNESS FOR A PARTICULAR PURPOSE. XILINX DOES NOT WARRANT THE PERFORMANCE, FUNCTIONALITY, OR OPERATION OF THIS DESIGN WILL MEET YOUR REQUIREMENTS, OR THAT THE OPERATION OF THE DESIGN WILL BE UNINTERRUPTED OR ERROR FREE, OR THAT DEFECTS IN THE DESIGN WILL BE CORRECTED. FURTHERMORE, XILINX DOES NOT WARRANT OR MAKE ANY REPRESENTATIONS REGARDING USE OR THE RESULTS OF THE USE OF THE DESIGN IN TERMS OF CORRECTNESS, ACCURACY, RELIABILITY OR OTHERWISE.

**XAPP358** - <http://www.xilinx.com/products/xaw/XAPP358.htm>

## Conclusion

This document has detailed the design of the CoolRunner CPLD logic for a wireless transceiver. The design is targeted for a 3.3V, 256 macrocell CoolRunner CPLD (XCR3256XL TQ144). This device, as well as the RF module discussed in this paper, has extremely low static and dynamic power dissipation and therefore is ideally suited for this application. The design of the CoolRunner wireless transceiver is also provided as an example of using a CoolRunner CPLD in a portable application and can be extended to many other types of portable applications

## References

1. Zetex Semiconductors Data Sheet - ZVNL110A N-Channel Enhancement Mode Vertical D(Double Diffused) MOS FET
2. USAR GreenCoder™ Evaluation Board Data Sheet - EVK5-FJL-7603-200
3. Anthes, John. "Unique Considerations for Data Radio UARTs." RF Monolithics, Inc.
4. RF Monolithics Data Sheet - DR3000 916.5 MHz Transceiver Module

## Acknowledgements

The CoolRunner wireless transceiver was developed with the senior design team (May 01) of the University of New Mexico (UNM), Electrical and Computer Engineering Department. Design team included: Erin Isaacson (Xilinx), Lisa Burckel (UNM), Jeremy Dencklau (UNM), Kristina Miller (UNM), Parveen Sidu (UNM).

Additional thanks to Jim Beneke, Dennis Schlaht, and Lara Kielytyka of Insight Electronics and Bruce DeVisser of Fujitsu Takamisawa who donated time and equipment to the transceiver project.

## Revision History

The following table shows the revision history for this document.

Date	Version	Revision
06/25/01	1.0	Initial Xilinx release.
10/01/02	1.1	Minor revisions
12/02/02	1.2	Updated link to the Fujitsu Takamisawa America, Inc. Keyboard



XAPP358 (v1.2) December 2, 2002

# Wireless Transceiver for the CoolRunner CPLD

## Summary

This document focuses on the design of a wireless transceiver using CoolRunner™ CPLDs. The wireless transceiver is implemented using the CoolRunner demo board. The wireless transceiver is the perfect application of the low power capabilities of a CoolRunner CPLD. To obtain the VHDL code described below go to the section titled “**VHDL Disclaimer and Download Instructions**” on page 11. This design fits XCR3256XL CoolRunner or XC2C256 CoolRunner-II CPLDs.

## Introduction

A wireless transceiver consists of two modules; receive, and transmit. One CoolRunner demo board comprises the receive portion while the second demo board comprises the transmit portion. The design transmits the text string "CooLrUnnEr," which is displayed on both the transmit and receive demo boards. The wireless communication is controlled by an RF module designed by RF Monolithics, Inc. (RFM®).

The protocol designed for the wireless transceiver obeys a custom wireless communication protocol. A designer could change the protocol has needed to meet the needs of a specific application.

The addition of keyboard control is also covered in this document. The VHDL code is not provided for this portion of the design. With keyboard control, a user can enter a text string into the transmitter and the string would be display on the receive side of the transceiver. The keyboard described is manufactured by Fujitsu Takamisawa America, Inc. (FBK7603) (<http://www.fc.ai.fujitsu.com/pdf/FKB7601.pdf>).

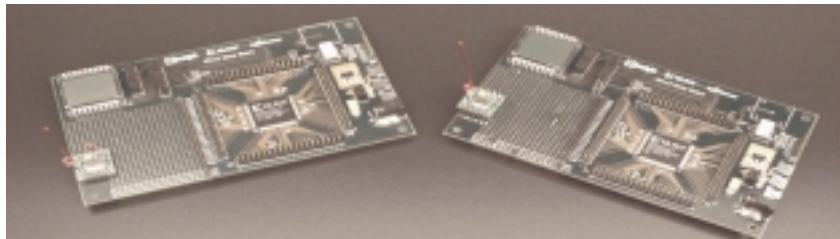


Figure 1: CoolRunner Wireless Transceiver

## CoolRunner CPLD Transceiver Operation

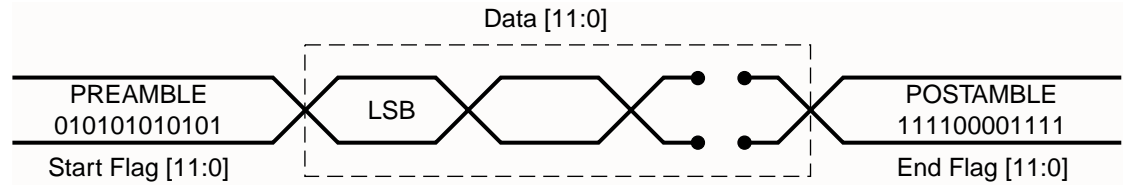
This section describes the operation of the transceiver. The communication protocol is a custom transmit and receive scheme, using Manchester encoding and Bit-Oriented Protocol (BOP) theory.

### Communication Protocol

The communication protocol is show in **Figure 2**. The preamble and postamble are used to contain the data to be transmitted. The total transmission is 36 bits. For error checking, the data is transmitted four times and compared to insure the proper data was received.

© 2002 Xilinx, Inc. All rights reserved. All Xilinx trademarks, registered trademarks, patents, and further disclaimers are as listed at <http://www.xilinx.com/legal.htm>. All other trademarks and registered trademarks are the property of their respective owners. All specifications are subject to change without notice.

NOTICE OF DISCLAIMER: Xilinx is providing this design, code, or information "as is." By providing the design, code, or information as one possible implementation of this feature, application, or standard, Xilinx makes no representation that this implementation is free from any claims of infringement. You are responsible for obtaining any rights you may require for your implementation. Xilinx expressly disclaims any warranty whatsoever with respect to the adequacy of the implementation, including but not limited to any warranties or representations that this implementation is free from claims of infringement and any implied warranties of merchantability or fitness for a particular purpose.



X358\_02\_062001

Figure 2: Communication Protocol

### Transmit

A Manchester encoding scheme is used between the transmit and receive modules. Manchester coding ensures that each bit of the data is D.C. balanced. Also, this coding scheme provides an edge within each bit period that can be used to align the receiver's clock if needed. However, Manchester coding requires twice the bandwidth as compared to NRZ (Non-Return-to-Zero) codes. To decrease bandwidth, a symbol table is used. It consists of sixteen different symbols that can be generated using six bits which guarantees that no more than four consecutive bits are the same. This scheme requires only 1.5 times the bandwidth when compared with NRZ coding. For more information on Manchester and NRZ coding schemes, refer to the application note XAPP339 "Manchester Encoder-Decoder for Xilinx CPLDs" (<http://www.xilinx.com/xapp/xapp339.pdf>).

### Receive

BOP is utilized on the receive side of the transceiver. BOP takes advantage of opening and closing flag insertion and deletion and zero bit insertion and deletion. Once an edge is detected, the incoming data is sampled and stored in a shift register. Once the most significant bits are equal to the postamble, the 12-bit data is stored in a register. This process occurs four times. This insures the data has time to be displayed on the LCD of the CPLD demo board and allows for more accurate error checking.

## CoolRunner CPLD Transceiver Block Diagram

### Transmit

The transmit block diagram is shown in Figure 3. Transmission comprises of three VHDL entities; DISPLAY\_COUNT, SHIFT\_ENABLE, and SHIFT\_OUT. These three logic modules are controlled by the top level module, TX\_MODULE. DISPLAY\_COUNT controls the LCD common line, LCDCOM, which minimizes charging in the LCD. DISPLAY\_COUNT also controls the time between display states. Each state determines which two digits are displayed on the LCD. It pulses the SWITCH\_EN\_H signal when it is time to change to the next state. This control line tells the SHIFT\_ENABLE module to output the next state number, CUR\_STATE, to the CHANGE\_STATE look up table. When this is completed, it pulses the LOAD\_DATA\_H signal to tell the SHIFT\_OUT module to load the current state data, CUR\_STATE\_DATA, output by the CHANGE\_STATE look up table. This module also keeps track of how many transmissions have been sent. It pulses the LOAD\_DATA\_H signal four times for each state, controlling the time between transmissions. The data is sent four times to provide error checking on the receive side (See Receive). When SHIFT\_OUT observes that LOAD\_DATA\_H has been pulsed, it loads the current state data, and begins to send the data, with a preamble and postamble, one bit at a time, to the RF module.



The CONTROL signal is controlled by the TX MODULE which enables the RF MODULE to be in transmit mode. SYS\_CLK\_H and SYS\_RST\_L are external signals that are used as the system clock and the global system reset.

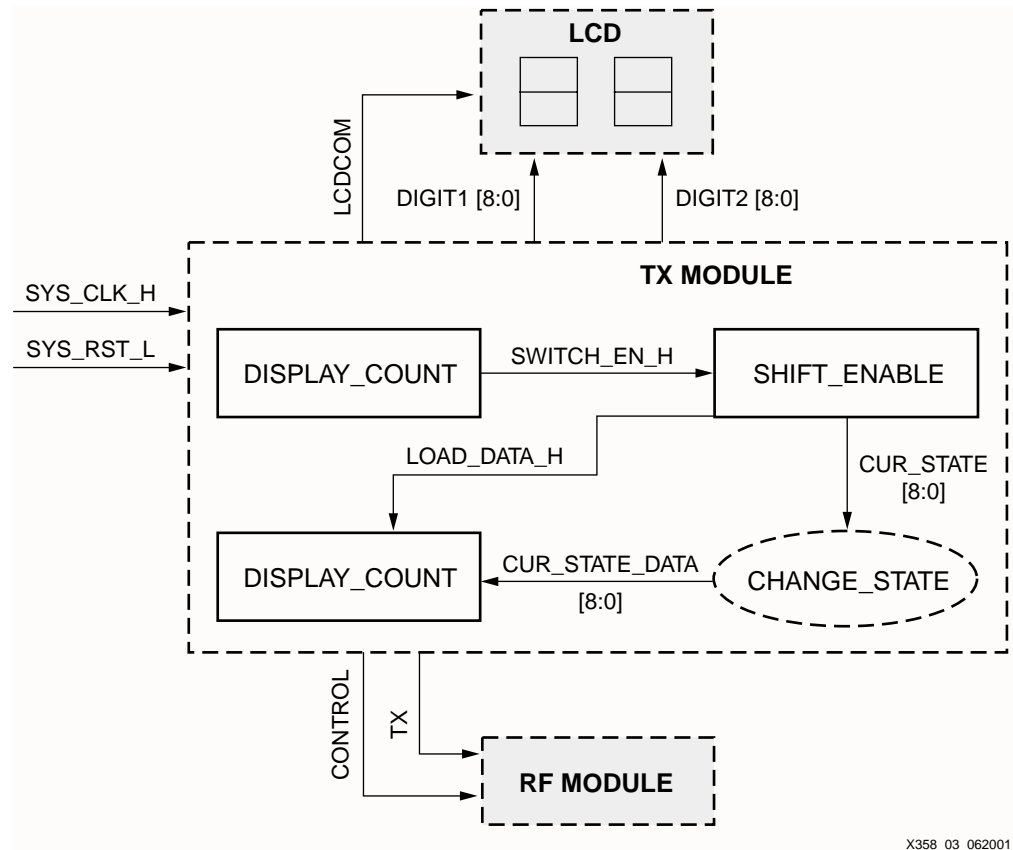


Figure 3: Transmit Module Block Diagram

## Receive

The receive block diagram is shown in Figure 4. The data is read on the RX pin and shifted into a 3-bit shift register, RXIN, on every clock cycle. When an edge is detected (a logic 1) in the least significant bits of RXIN, a counter is enabled. This counter counts to approximately 3/4 of the bit period (due to non-ideal conditions, see Figure 5), samples the data, and shifts the bit into a 36-bit data register, SHIFT\_DATA (see Figure 10). If there are consecutive bits in the stream, the counter continues to count 3/4 into the next bit period and samples the data again. If there is another edge detected, it restarts the counter, to keep the possibility of error due to drift to a minimum. Once the postamble is seen in the most significant 12 bits of the 36-bit shift register, the 12 bits of data are stored into a temporary register, REG1 through REG4, and the module gets ready for the next transmission. After the fourth transmission, if any two of the temporary registers are equal, the data is symbolized using the RX\_SYMBOLIZE function, and the data is sent to the LCD.

LDCOM minimizes charging in the LCD. The CONTROL signal is controlled by the receive MODULE which enables the RF MODULE to be in receive mode. SYS\_CLK\_H and SYS\_RST\_L are external signals that are used as the system clock and the global system reset.

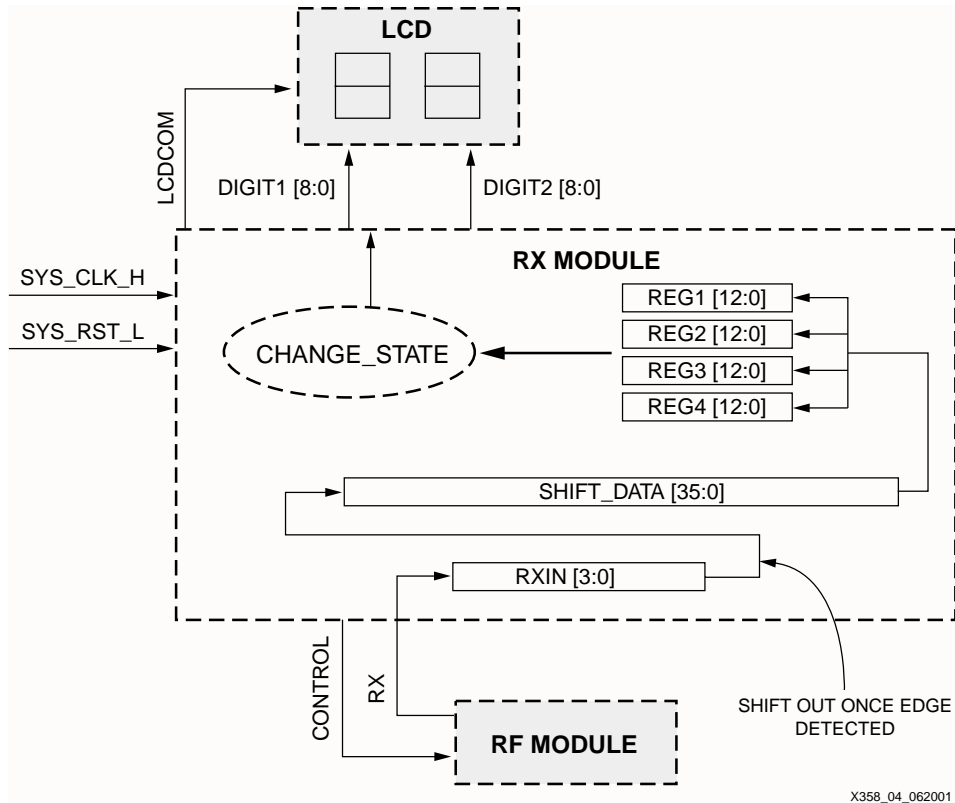


Figure 4: Receive Module Block Diagram

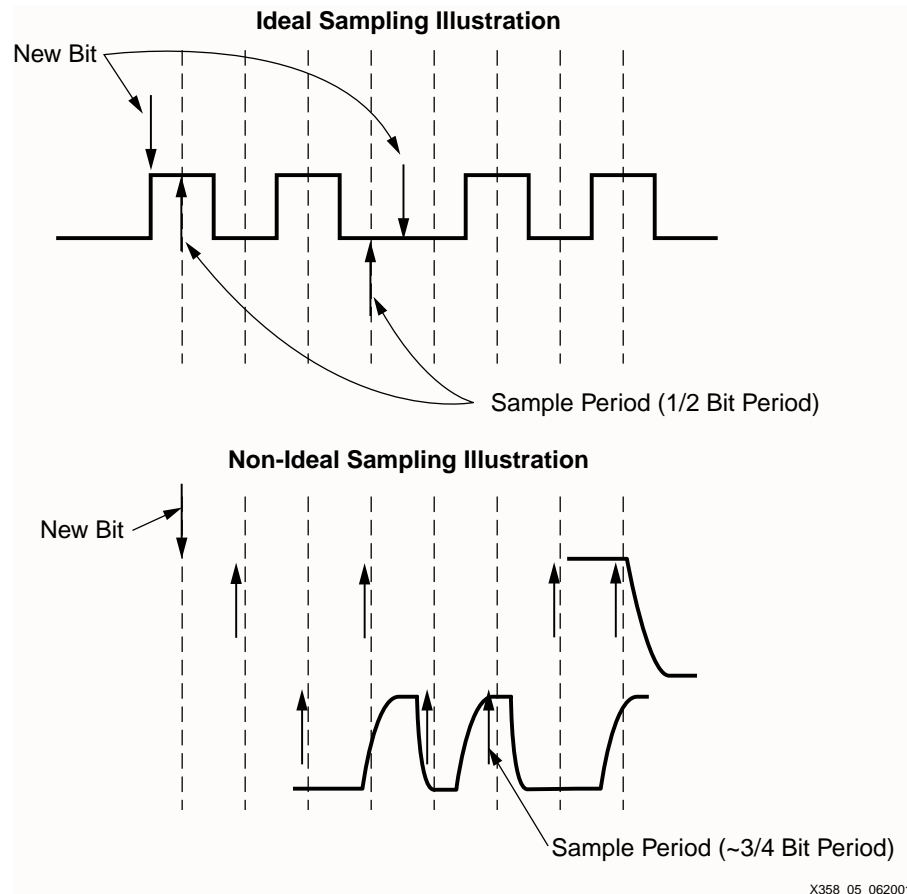
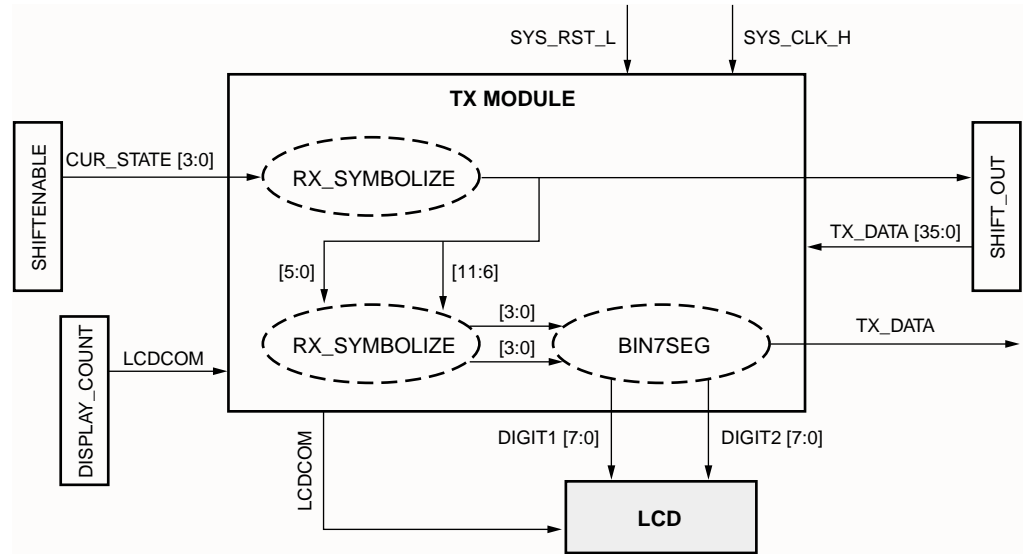


Figure 5: Receive Module Block Diagram

## CPLD Transmit Design

Transmit module contains the look up tables: CHANGE\_STATE, RX\_SYMBOLIZE, BIN7SEG. The latter two are used to display the letters being transmitted. CHANGE\_STATE changes the current state of TX\_MODULE (the data to be transmitted), which is sent from the SHIFT\_ENABLE logic module. The logic function RX\_SYMBOLIZE is a look up table to convert 6-bits of each digit of data into a 4-bit number. BIN7SEG is a lookup table that takes the 4-bit symbolized number from the RX\_SYMBOLIZE function and converts it into an 8-bit number sent to the LCD digits. The block diagram for TX\_MODULE is shown in Figure 6.

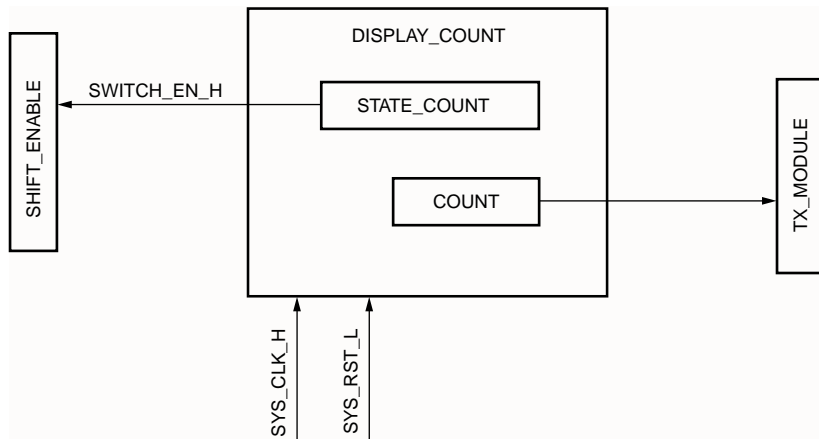


X358\_06\_062001

Figure 6: TX\_MODULE Block Diagram

## Display Count

The DISPLAY\_COUNT block diagram is shown in Figure 7. This logic module controls the time between each state and the LCDCOM signal. STATE\_COUNT is incremented and then enables SWITCH\_EN\_H. SWITCH\_EN\_H then enables the logic module SHIFT\_ENABLE to change state (transmit new data).



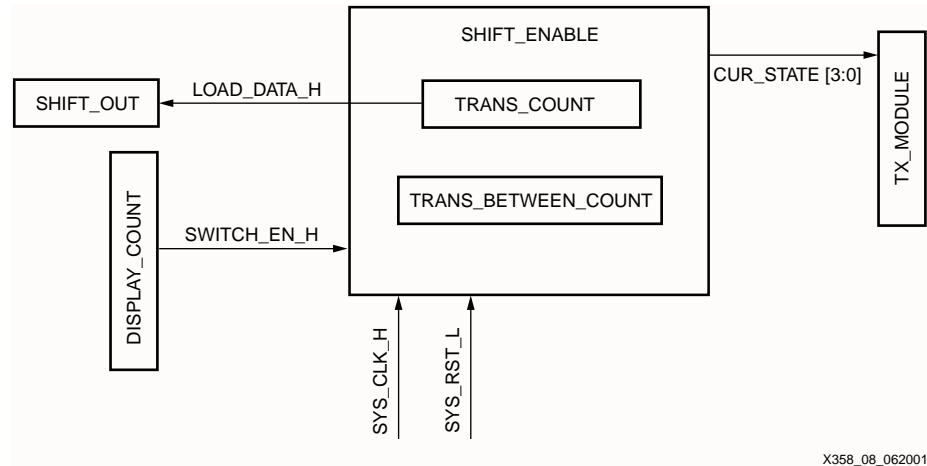
X358\_07\_062001

Figure 7: Display Count Block Diagram

### Shift Enable

The SHIFT\_ENABLE logic module increments the state variable to change states, and sends an edge to an enable signal (LOAD\_DATA\_H) to update a register in the SHIFT\_OUT module with the new state value. The block diagram is shown in Figure 8.

TRANS\_BETWEEN\_COUNT determines the time between each state. TRANS\_COUNT controls the number of transmissions between states.

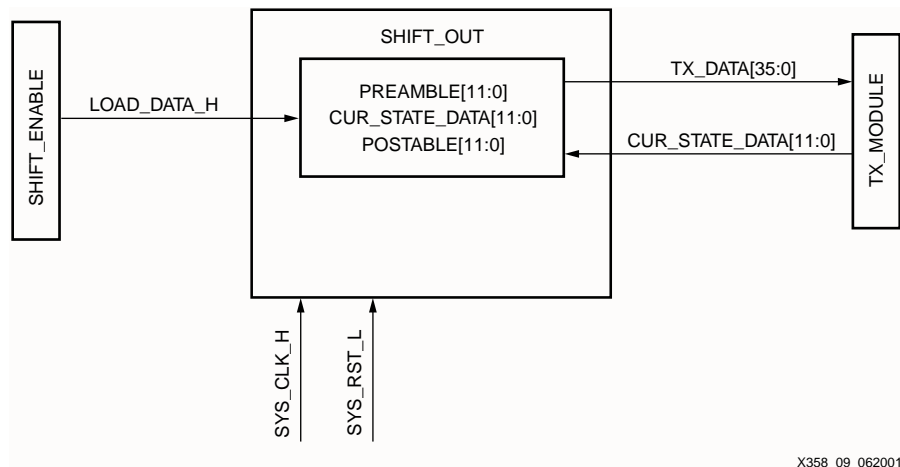


X358\_08\_062001

Figure 8: SHIFT\_ENABLE Block Diagram

### Shift Out

The SHIFT\_OUT logic module sends the TX\_DATA to TX\_MODULE for transmission. LOAD\_DATA\_H enables the SHIFT\_OUT module to load the current data. The block diagram is shown in Figure 9.



X358\_09\_062001

Figure 9: SHIFT\_OUT Block Diagram

## Receive Module Edge Detection

### Receive

The receiver operation is included in one receive VHDL entity shown in Figure 4. Figure 10 shows the edge detection and sampling scheme of the ideal sampling model. Once an edge is detected, a counter insures the correct sampling and thus the storing of transmitted data. If non-ideal conditions exist, the location of sampling may need to be changed (see Figure 5).

The counter size and value used to sample the incoming bits is determined by the system clock and the baud rate. The RF module allows for a baud rate between 2.4 Kbps to 19.2 Kbps. With

a 32.7 KHz clock, a 2.4 Kbps can be accurately modeled with a 5-bit counter. If the user wishes to change the baud rate, the value of the sampling counter must also be changed.

Further, the counter is re-initialized when an edge is detected. As previously discussed, this allows drift to be reduced to a minimum. Therefore, it is recommended that an encoding scheme which does not allow for long lengths of consecutive bits in the stream be used.

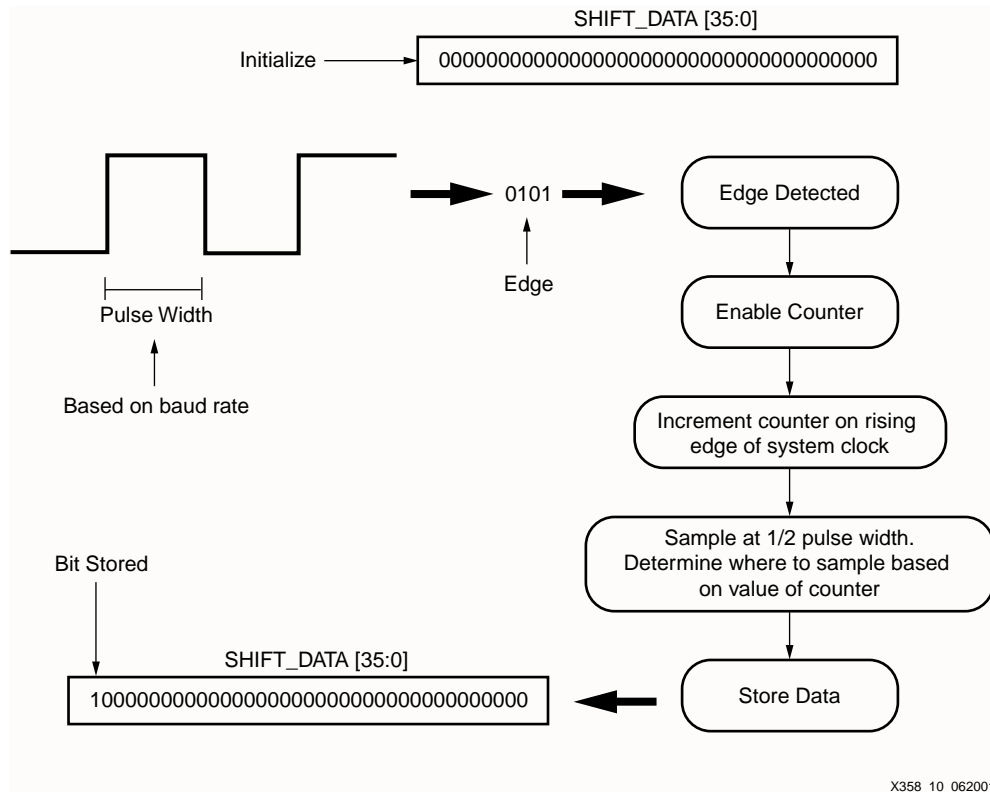


Figure 10: Receive Edge Detection

## Hardware Description

The following describes the hardware used to develop the CoolRunner CPLD wireless transceiver.

### RF Hardware

The RF transmission was preformed by the DR3000 module, manufactured RFM. The DR3000 is designed for short-range and low power applications with a carrier frequency of 916.5 MHz. Both On-Off Keyed (OOK) and Amplitude-Shift Keyed (ASK) modulation schemes are supported by the DR3000 module. The transceiver utilizes an Amplifier-Sequenced Hybrid (ASH) architecture and supports 2.4 to 19.2 Kbps baud rates. The baud rates can be controlled with additional hardware changes to the RF module. The CoolRunner transceiver utilizes the 2.4 Kbps transmission. The 2.4 baud rate was chosen due to the clock frequency available on the CPLD demo board.

### CPLD Hardware

The CoolRunner XPLA3 demo board from Insight Electronics is used for the CoolRunner wireless transceiver. The demo board contains a two-digit LCD, 32.768 KHz clock, prototyping area and the Xilinx CoolRunner XPLA3 XCR3256XL TQ144 CPLD.

### Hardware Setup

If using the AC adapter provided with the CoolRunner demo board, ensure that the resistor, R7 (refer to the DR300 data sheet), is removed from the DR3000. If R7 is not removed, the DR3000 will heat up and no longer function properly. Also, ensure the RF module is attached to a proper power/ground plane to minimize ground loops.

The DR3000 requires a level shifter to correctly drive the CPLD I/O pin (see Figure 11). The RF module can not drive loads stronger than 500k ohms.

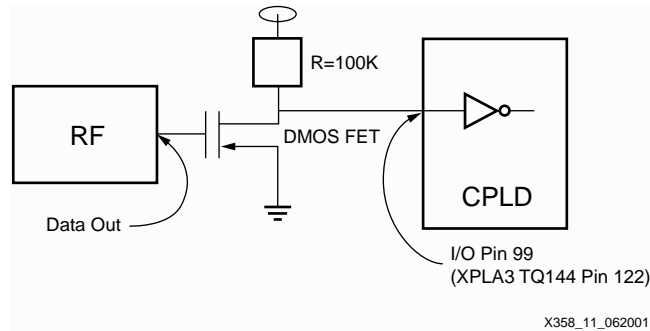


Figure 11: Additional MOSFET Circuitry

### Keyboard Entry Option

The following is a design implementation option for using keyboard entry with the CoolRunner wireless transceiver. CPLD design implementation is left to the user to develop.

#### PS/2® Protocol

The keyboard interfaces with the CPLD using the PS/2 protocol. The PS/2 protocol works on serial communication between a host and a peripheral device. The bus can be in three states: idle, inhibit, and request to send. The device can transmit a byte to the host only when the bus is idle. In order for the bus to be idle, both the CLK and DATA pins must be high (logic 1).

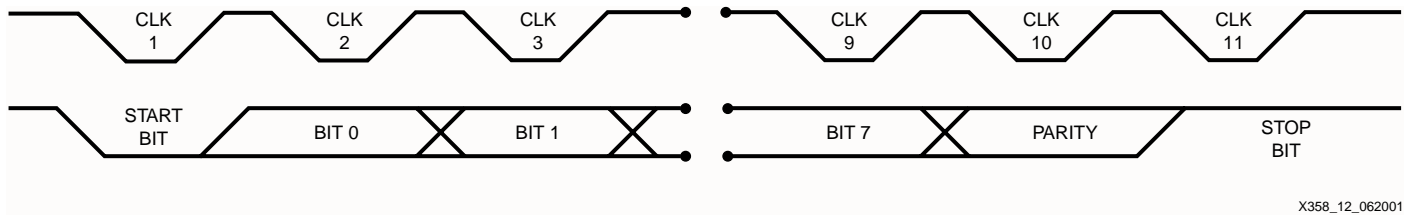
Table 1 is the pin layout for the PS/2 cable.

Table 1: PS/2 Cable Pin Configuration

Pin 1	PS/2 DATA
Pin 2	N/C
Pin 3	GROUND (0V)
Pin 4	POWER (+5V)
Pin 5	PS/2 CLK
Pin 6	N/C

The byte transmission includes a start bit (logic 0), eight data bits (LSB first), a parity bit (odd parity), and a stop bit (logic 1). The transmission occurs by having the device transmit a byte of

data by pulsing the CLK low and high 11 times, sampling the DATA line. Figure 12 depicts the waveform for one PS/2 transmission.



X358\_12\_062001

Figure 12: PS/2 Transmission Waveform

## Hardware Description

In order to use a keyboard, a keyboard encoder must be used to manipulate data. The keyboard encoder used for this implementation is the Semtech Greencoder™ (UR5HCFJL) Zero Power™ Keyboard Encoder for Portable Systems. This keyboard encoder is the device used between the keyboard and the peripheral device. It works on a matrix (8 X 16) format with the capability to support a 128 key keyboard. The keyboard encoder has three states that it operates in: sleep, stand by, and active. These states are used to efficiently manage power consumption, making this device a good fit for use with CoolRunner. The keyboard encoder used for this design implementation can function using 3V, 3.3V, or 5V and uses the PS/2 protocol to receive data from the keyboard.

## CoolRunner XPLA3 CPLD Implementation

The CoolRunner transceiver is built using the CoolRunner XPLA3 Development Kit from Insight Electronics. Table 2 details the I/O pins on the demo board to the pins used on the XPLA3 256 macrocell part in the TQ144 package.

Table 2: Prototyping Area I/O Cross Reference

Transceiver Signal	Prototyping Area I/O	XPLA3 Pin Number
RX	I/O 99	119
TX	I/O 106	138
CONTROL	I/O 104	136

The wireless transceiver Receive module utilization in an XPLA3 256-macrocell device is shown in Table 3. The total utilization for the Receive Module allows room for additions and/or improvements to the design.

Table 3: CoolRunner XPLA3 256-Macrocell Utilization for Receive

Resource	Available	Used	Utilization (%)
Macrocells	256	168	65.63
P-terms	768	465	60.55
I/O Pins	116	20	17.25

The Transmit module utilization in an XPLA 256-macrocell device is shown in Table 4. Again, the total utilization for the transmit portion of the design allows room for addition and/or improvements to the design.

Table 4: CoolRunner XPLA3-256 Macrocell Utilization for Transmit

Resource	Available	Used	Utilization (%)
Macrocells	256	118	46.10
P-terms	768	202	26.31
I/O Pins	116	20	17.25

## Design Verification

The design was verified in simulation and hardware implementation described previously in this document.

## VHDL Disclaimer and Download Instructions

VHDL source code and test benches are available for this design. THE DESIGN IS PROVIDED TO YOU "AS IS". XILINX MAKES AND YOU RECEIVE NO WARRANTIES OR CONDITIONS, EXPRESS, IMPLIED, STATUTORY, OR OTHERWISE, AND XILINX SPECIFICALLY DISCLAIMS ANY IMPLIED WARRANTIES OF MERCHANTABILITY, NON-INFRINGEMENT, OR FITNESS FOR A PARTICULAR PURPOSE. XILINX DOES NOT WARRANT THE PERFORMANCE, FUNCTIONALITY, OR OPERATION OF THIS DESIGN WILL MEET YOUR REQUIREMENTS, OR THAT THE OPERATION OF THE DESIGN WILL BE UNINTERRUPTED OR ERROR FREE, OR THAT DEFECTS IN THE DESIGN WILL BE CORRECTED. FURTHERMORE, XILINX DOES NOT WARRANT OR MAKE ANY REPRESENTATIONS REGARDING USE OR THE RESULTS OF THE USE OF THE DESIGN IN TERMS OF CORRECTNESS, ACCURACY, RELIABILITY OR OTHERWISE.

**XAPP358** - <http://www.xilinx.com/products/xaw/XAPP358.htm>

## Conclusion

This document has detailed the design of the CoolRunner CPLD logic for a wireless transceiver. The design is targeted for a 3.3V, 256 macrocell CoolRunner CPLD (XCR3256XL TQ144). This device, as well as the RF module discussed in this paper, has extremely low static and dynamic power dissipation and therefore is ideally suited for this application. The design of the CoolRunner wireless transceiver is also provided as an example of using a CoolRunner CPLD in a portable application and can be extended to many other types of portable applications

## References

1. Zetex Semiconductors Data Sheet - ZVNL110A N-Channel Enhancement Mode Vertical D(Double Diffused) MOS FET
2. USAR GreenCoder™ Evaluation Board Data Sheet - EVK5-FJL-7603-200
3. Anthes, John. "Unique Considerations for Data Radio UARTs." RF Monolithics, Inc.
4. RF Monolithics Data Sheet - DR3000 916.5 MHz Transceiver Module

## Acknowledgements

The CoolRunner wireless transceiver was developed with the senior design team (May 01) of the University of New Mexico (UNM), Electrical and Computer Engineering Department. Design team included: Erin Isaacson (Xilinx), Lisa Burckel (UNM), Jeremy Dencklau (UNM), Kristina Miller (UNM), Parveen Sidu (UNM).

Additional thanks to Jim Beneke, Dennis Schlaht, and Lara Kielytyka of Insight Electronics and Bruce DeVisser of Fujitsu Takamisawa who donated time and equipment to the transceiver project.



## Revision History

The following table shows the revision history for this document.

Date	Version	Revision
06/25/01	1.0	Initial Xilinx release.
10/01/02	1.1	Minor revisions
12/02/02	1.2	Updated link to the Fujitsu Takamisawa America, Inc. Keyboard



XAPP358 (v1.2) December 2, 2002

# Wireless Transceiver for the CoolRunner CPLD

## Summary

This document focuses on the design of a wireless transceiver using CoolRunner™ CPLDs. The wireless transceiver is implemented using the CoolRunner demo board. The wireless transceiver is the perfect application of the low power capabilities of a CoolRunner CPLD. To obtain the VHDL code described below go to the section titled “**VHDL Disclaimer and Download Instructions**” on page 11. This design fits XCR3256XL CoolRunner or XC2C256 CoolRunner-II CPLDs.

## Introduction

A wireless transceiver consists of two modules; receive, and transmit. One CoolRunner demo board comprises the receive portion while the second demo board comprises the transmit portion. The design transmits the text string "CooLrUnnEr," which is displayed on both the transmit and receive demo boards. The wireless communication is controlled by an RF module designed by RF Monolithics, Inc. (RFM®).

The protocol designed for the wireless transceiver obeys a custom wireless communication protocol. A designer could change the protocol has needed to meet the needs of a specific application.

The addition of keyboard control is also covered in this document. The VHDL code is not provided for this portion of the design. With keyboard control, a user can enter a text string into the transmitter and the string would be display on the receive side of the transceiver. The keyboard described is manufactured by Fujitsu Takamisawa America, Inc. (FBK7603) (<http://www.fc.ai.fujitsu.com/pdf/FKB7601.pdf>).

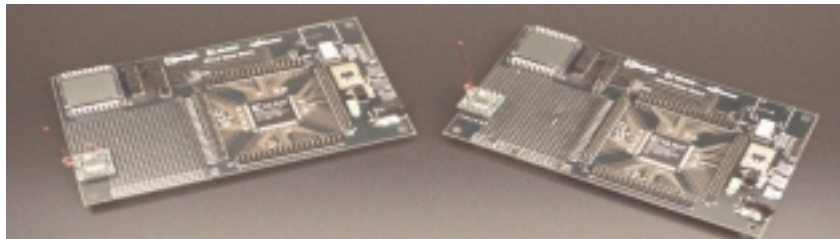


Figure 1: CoolRunner Wireless Transceiver

## CoolRunner CPLD Transceiver Operation

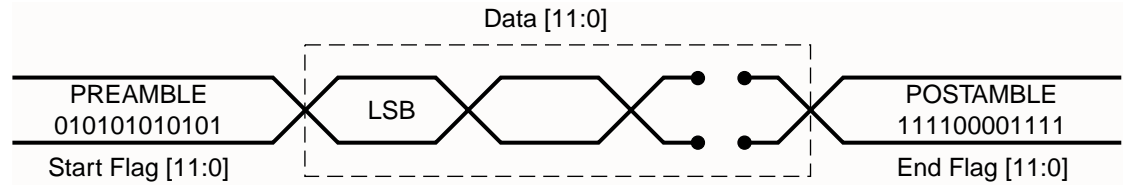
This section describes the operation of the transceiver. The communication protocol is a custom transmit and receive scheme, using Manchester encoding and Bit-Oriented Protocol (BOP) theory.

### Communication Protocol

The communication protocol is show in **Figure 2**. The preamble and postamble are used to contain the data to be transmitted. The total transmission is 36 bits. For error checking, the data is transmitted four times and compared to insure the proper data was received.

© 2002 Xilinx, Inc. All rights reserved. All Xilinx trademarks, registered trademarks, patents, and further disclaimers are as listed at <http://www.xilinx.com/legal.htm>. All other trademarks and registered trademarks are the property of their respective owners. All specifications are subject to change without notice.

NOTICE OF DISCLAIMER: Xilinx is providing this design, code, or information "as is." By providing the design, code, or information as one possible implementation of this feature, application, or standard, Xilinx makes no representation that this implementation is free from any claims of infringement. You are responsible for obtaining any rights you may require for your implementation. Xilinx expressly disclaims any warranty whatsoever with respect to the adequacy of the implementation, including but not limited to any warranties or representations that this implementation is free from claims of infringement and any implied warranties of merchantability or fitness for a particular purpose.



X358\_02\_062001

Figure 2: Communication Protocol

### Transmit

A Manchester encoding scheme is used between the transmit and receive modules. Manchester coding ensures that each bit of the data is D.C. balanced. Also, this coding scheme provides an edge within each bit period that can be used to align the receiver's clock if needed. However, Manchester coding requires twice the bandwidth as compared to NRZ (Non-Return-to-Zero) codes. To decrease bandwidth, a symbol table is used. It consists of sixteen different symbols that can be generated using six bits which guarantees that no more than four consecutive bits are the same. This scheme requires only 1.5 times the bandwidth when compared with NRZ coding. For more information on Manchester and NRZ coding schemes, refer to the application note XAPP339 "Manchester Encoder-Decoder for Xilinx CPLDs" (<http://www.xilinx.com/xapp/xapp339.pdf>).

### Receive

BOP is utilized on the receive side of the transceiver. BOP takes advantage of opening and closing flag insertion and deletion and zero bit insertion and deletion. Once an edge is detected, the incoming data is sampled and stored in a shift register. Once the most significant bits are equal to the postamble, the 12-bit data is stored in a register. This process occurs four times. This insures the data has time to be displayed on the LCD of the CPLD demo board and allows for more accurate error checking.

## CoolRunner CPLD Transceiver Block Diagram

### Transmit

The transmit block diagram is shown in Figure 3. Transmission comprises of three VHDL entities; DISPLAY\_COUNT, SHIFT\_ENABLE, and SHIFT\_OUT. These three logic modules are controlled by the top level module, TX\_MODULE. DISPLAY\_COUNT controls the LCD common line, LCDCOM, which minimizes charging in the LCD. DISPLAY\_COUNT also controls the time between display states. Each state determines which two digits are displayed on the LCD. It pulses the SWITCH\_EN\_H signal when it is time to change to the next state. This control line tells the SHIFT\_ENABLE module to output the next state number, CUR\_STATE, to the CHANGE\_STATE look up table. When this is completed, it pulses the LOAD\_DATA\_H signal to tell the SHIFT\_OUT module to load the current state data, CUR\_STATE\_DATA, output by the CHANGE\_STATE look up table. This module also keeps track of how many transmissions have been sent. It pulses the LOAD\_DATA\_H signal four times for each state, controlling the time between transmissions. The data is sent four times to provide error checking on the receive side (See Receive). When SHIFT\_OUT observes that LOAD\_DATA\_H has been pulsed, it loads the current state data, and begins to send the data, with a preamble and postamble, one bit at a time, to the RF module.

The CONTROL signal is controlled by the TX MODULE which enables the RF MODULE to be in transmit mode. SYS\_CLK\_H and SYS\_RST\_L are external signals that are used as the system clock and the global system reset.

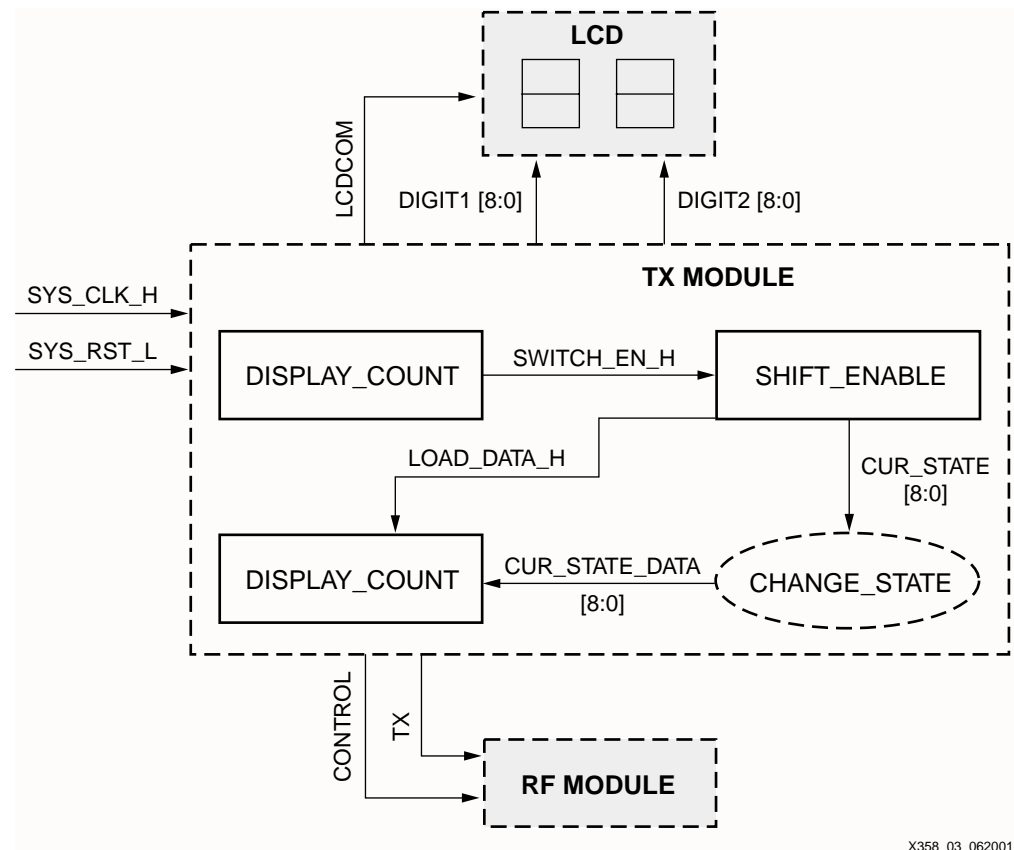


Figure 3: Transmit Module Block Diagram

## Receive

The receive block diagram is shown in Figure 4. The data is read on the RX pin and shifted into a 3-bit shift register, RXIN, on every clock cycle. When an edge is detected (a logic 1) in the least significant bits of RXIN, a counter is enabled. This counter counts to approximately 3/4 of the bit period (due to non-ideal conditions, see Figure 5), samples the data, and shifts the bit into a 36-bit data register, SHIFT\_DATA (see Figure 10). If there are consecutive bits in the stream, the counter continues to count 3/4 into the next bit period and samples the data again. If there is another edge detected, it restarts the counter, to keep the possibility of error due to drift to a minimum. Once the postamble is seen in the most significant 12 bits of the 36-bit shift register, the 12 bits of data are stored into a temporary register, REG1 through REG4, and the module gets ready for the next transmission. After the fourth transmission, if any two of the temporary registers are equal, the data is symbolized using the RX\_SYMBOLIZE function, and the data is sent to the LCD.

LDCOM minimizes charging in the LCD. The CONTROL signal is controlled by the receive MODULE which enables the RF MODULE to be in receive mode. SYS\_CLK\_H and SYS\_RST\_L are external signals that are used as the system clock and the global system reset.

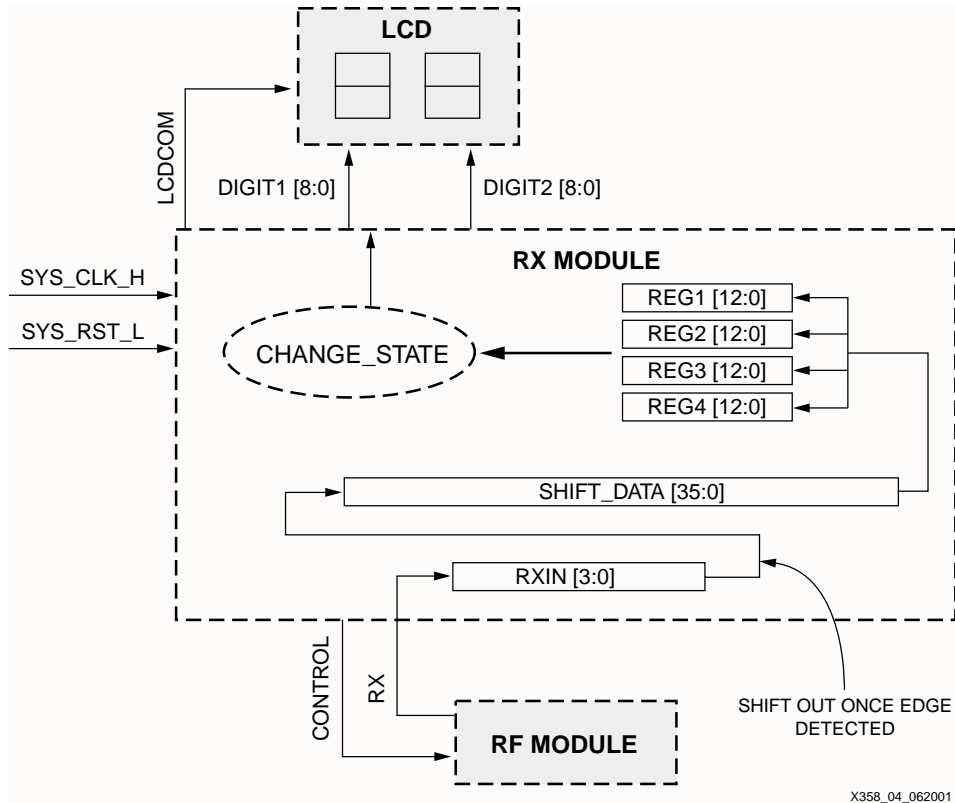


Figure 4: Receive Module Block Diagram

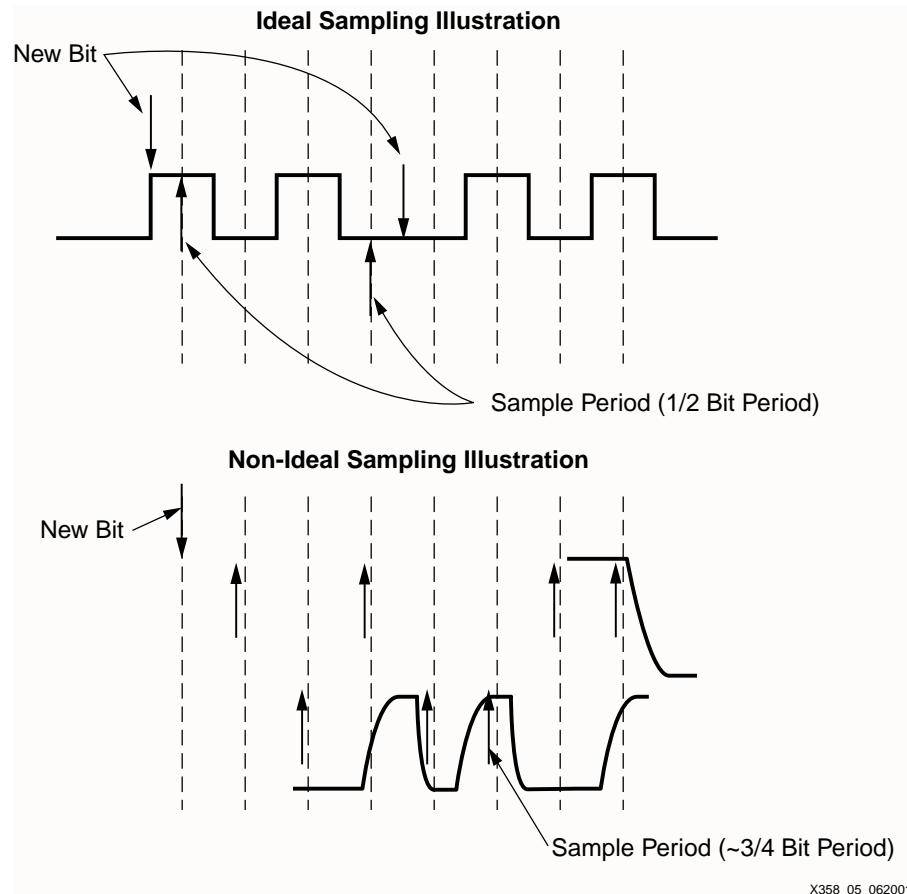
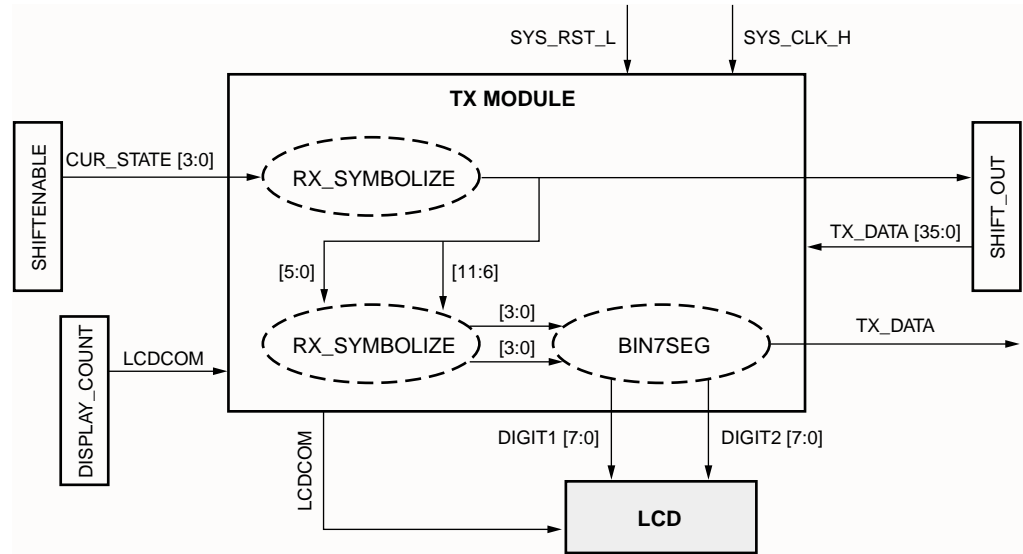


Figure 5: Receive Module Block Diagram

## CPLD Transmit Design

Transmit module contains the look up tables: CHANGE\_STATE, RX\_SYMBOLIZE, BIN7SEG. The latter two are used to display the letters being transmitted. CHANGE\_STATE changes the current state of TX\_MODULE (the data to be transmitted), which is sent from the SHIFT\_ENABLE logic module. The logic function RX\_SYMBOLIZE is a look up table to convert 6-bits of each digit of data into a 4-bit number. BIN7SEG is a lookup table that takes the 4-bit symbolized number from the RX\_SYMBOLIZE function and converts it into an 8-bit number sent to the LCD digits. The block diagram for TX\_MODULE is shown in Figure 6.

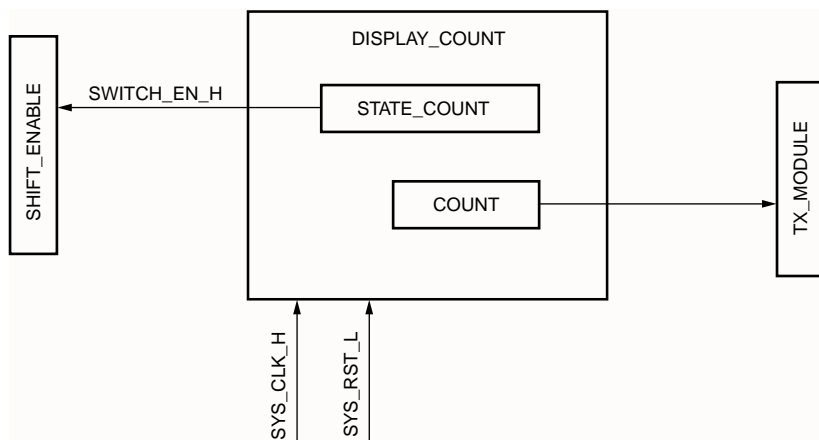


X358\_06\_062001

Figure 6: TX\_MODULE Block Diagram

## Display Count

The DISPLAY\_COUNT block diagram is shown in Figure 7. This logic module controls the time between each state and the LCDCOM signal. STATE\_COUNT is incremented and then enables SWITCH\_EN\_H. SWITCH\_EN\_H then enables the logic module SHIFT\_ENABLE to change state (transmit new data).



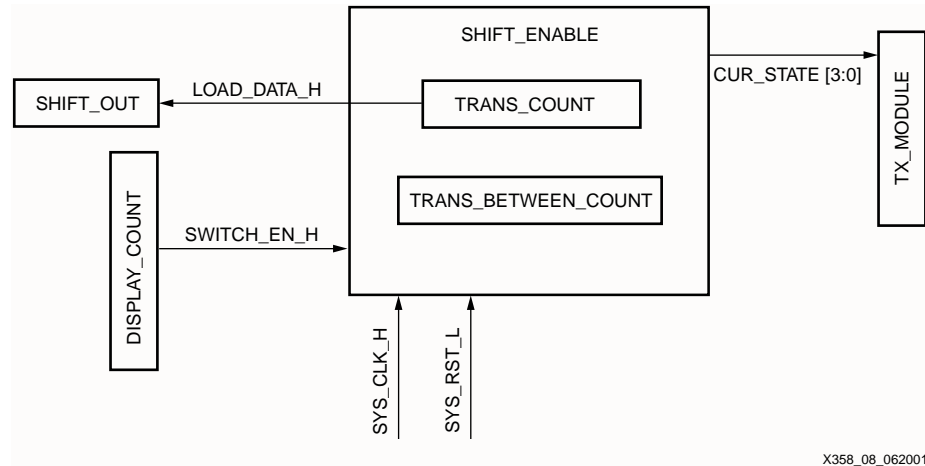
X358\_07\_062001

Figure 7: Display Count Block Diagram

### Shift Enable

The SHIFT\_ENABLE logic module increments the state variable to change states, and sends an edge to an enable signal (LOAD\_DATA\_H) to update a register in the SHIFT\_OUT module with the new state value. The block diagram is shown in Figure 8.

TRANS\_BETWEEN\_COUNT determines the time between each state. TRANS\_COUNT controls the number of transmissions between states.

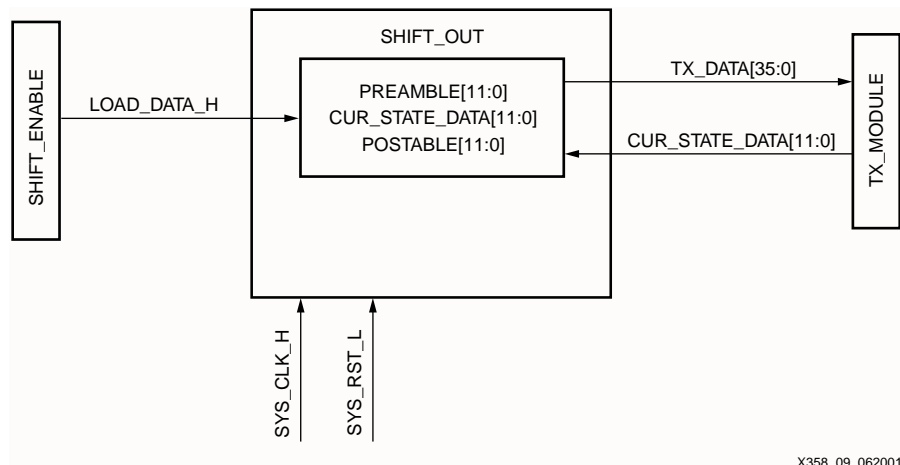


X358\_08\_062001

Figure 8: SHIFT\_ENABLE Block Diagram

### Shift Out

The SHIFT\_OUT logic module sends the TX\_DATA to TX\_MODULE for transmission. LOAD\_DATA\_H enables the SHIFT\_OUT module to load the current data. The block diagram is shown in Figure 9.



X358\_09\_062001

Figure 9: SHIFT\_OUT Block Diagram

## Receive Module Edge Detection

### Receive

The receiver operation is included in one receive VHDL entity shown in Figure 4. Figure 10 shows the edge detection and sampling scheme of the ideal sampling model. Once an edge is detected, a counter insures the correct sampling and thus the storing of transmitted data. If non-ideal conditions exist, the location of sampling may need to be changed (see Figure 5).

The counter size and value used to sample the incoming bits is determined by the system clock and the baud rate. The RF module allows for a baud rate between 2.4 Kbps to 19.2 Kbps. With

a 32.7 KHz clock, a 2.4 Kbps can be accurately modeled with a 5-bit counter. If the user wishes to change the baud rate, the value of the sampling counter must also be changed.

Further, the counter is re-initialized when an edge is detected. As previously discussed, this allows drift to be reduced to a minimum. Therefore, it is recommended that an encoding scheme which does not allow for long lengths of consecutive bits in the stream be used.

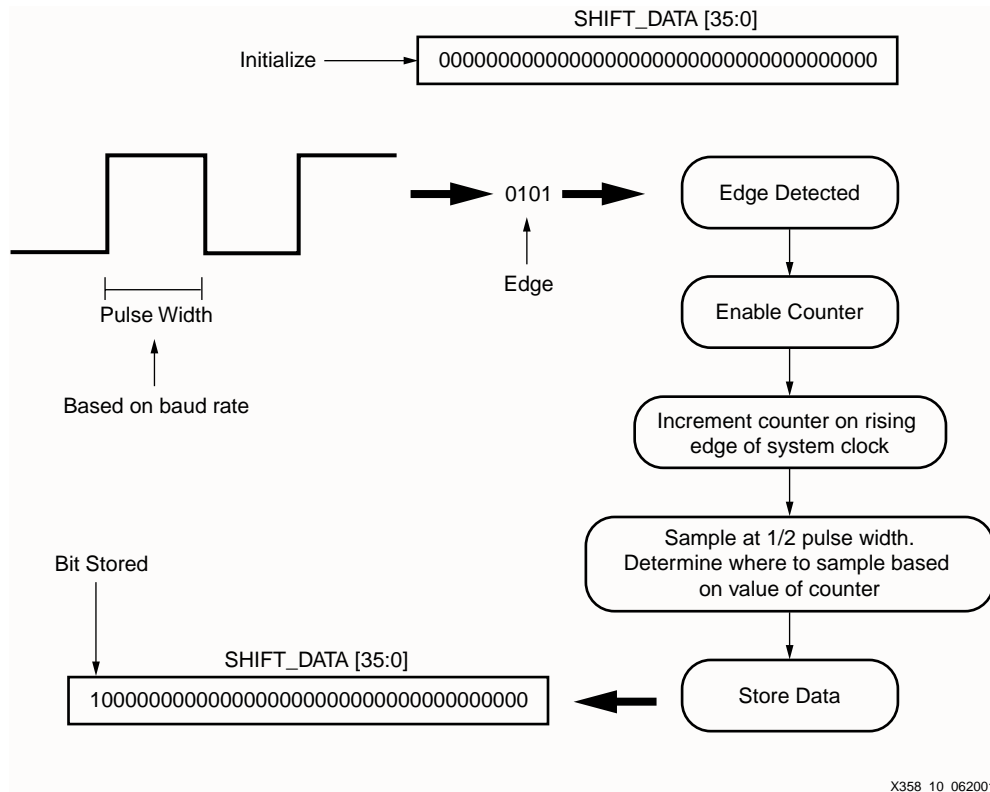


Figure 10: Receive Edge Detection

## Hardware Description

The following describes the hardware used to develop the CoolRunner CPLD wireless transceiver.

### RF Hardware

The RF transmission was performed by the DR3000 module, manufactured RFM. The DR3000 is designed for short-range and low power applications with a carrier frequency of 916.5 MHz. Both On-Off Keyed (OOK) and Amplitude-Shift Keyed (ASK) modulation schemes are supported by the DR3000 module. The transceiver utilizes an Amplifier-Sequenced Hybrid (ASH) architecture and supports 2.4 to 19.2 Kbps baud rates. The baud rates can be controlled with additional hardware changes to the RF module. The CoolRunner transceiver utilizes the 2.4 Kbps transmission. The 2.4 baud rate was chosen due to the clock frequency available on the CPLD demo board.

### CPLD Hardware

The CoolRunner XPLA3 demo board from Insight Electronics is used for the CoolRunner wireless transceiver. The demo board contains a two-digit LCD, 32.768 KHz clock, prototyping area and the Xilinx CoolRunner XPLA3 XCR3256XL TQ144 CPLD.



### Hardware Setup

If using the AC adapter provided with the CoolRunner demo board, ensure that the resistor, R7 (refer to the DR300 data sheet), is removed from the DR3000. If R7 is not removed, the DR3000 will heat up and no longer function properly. Also, ensure the RF module is attached to a proper power/ground plane to minimize ground loops.

The DR3000 requires a level shifter to correctly drive the CPLD I/O pin (see Figure 11). The RF module can not drive loads stronger than 500k ohms.

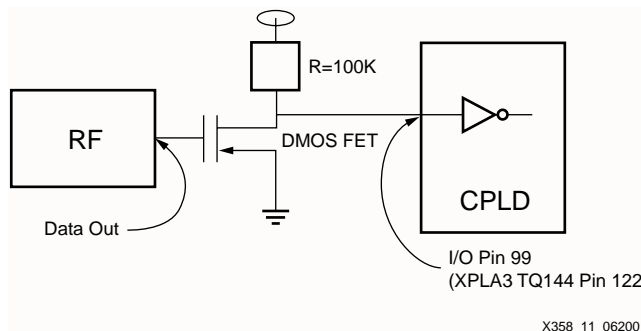


Figure 11: Additional MOSFET Circuitry

### Keyboard Entry Option

The following is a design implementation option for using keyboard entry with the CoolRunner wireless transceiver. CPLD design implementation is left to the user to develop.

#### PS/2® Protocol

The keyboard interfaces with the CPLD using the PS/2 protocol. The PS/2 protocol works on serial communication between a host and a peripheral device. The bus can be in three states: idle, inhibit, and request to send. The device can transmit a byte to the host only when the bus is idle. In order for the bus to be idle, both the CLK and DATA pins must be high (logic 1).

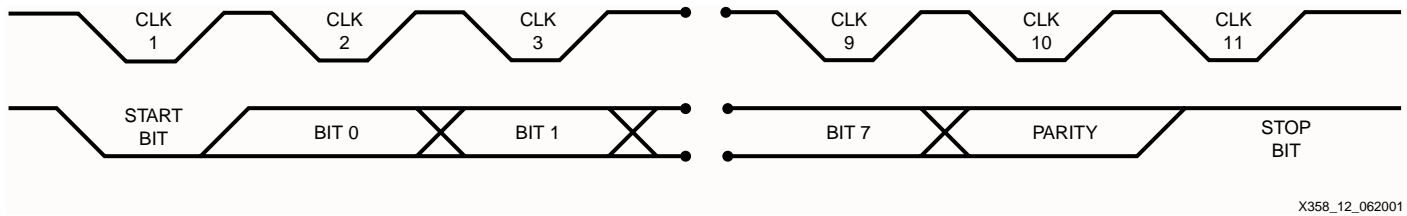
Table 1 is the pin layout for the PS/2 cable.

Table 1: PS/2 Cable Pin Configuration

Pin 1	PS/2 DATA
Pin 2	N/C
Pin 3	GROUND (0V)
Pin 4	POWER (+5V)
Pin 5	PS/2 CLK
Pin 6	N/C

The byte transmission includes a start bit (logic 0), eight data bits (LSB first), a parity bit (odd parity), and a stop bit (logic 1). The transmission occurs by having the device transmit a byte of

data by pulsing the CLK low and high 11 times, sampling the DATA line. Figure 12 depicts the waveform for one PS/2 transmission.



X358\_12\_062001

Figure 12: PS/2 Transmission Waveform

## Hardware Description

In order to use a keyboard, a keyboard encoder must be used to manipulate data. The keyboard encoder used for this implementation is the Semtech Greencoder™ (UR5HCFJL) Zero Power™ Keyboard Encoder for Portable Systems. This keyboard encoder is the device used between the keyboard and the peripheral device. It works on a matrix (8 X 16) format with the capability to support a 128 key keyboard. The keyboard encoder has three states that it operates in: sleep, stand by, and active. These states are used to efficiently manage power consumption, making this device a good fit for use with CoolRunner. The keyboard encoder used for this design implementation can function using 3V, 3.3V, or 5V and uses the PS/2 protocol to receive data from the keyboard.

## CoolRunner XPLA3 CPLD Implementation

The CoolRunner transceiver is built using the CoolRunner XPLA3 Development Kit from Insight Electronics. Table 2 details the I/O pins on the demo board to the pins used on the XPLA3 256 macrocell part in the TQ144 package.

Table 2: Prototyping Area I/O Cross Reference

Transceiver Signal	Prototyping Area I/O	XPLA3 Pin Number
RX	I/O 99	119
TX	I/O 106	138
CONTROL	I/O 104	136

The wireless transceiver Receive module utilization in an XPLA3 256-macrocell device is shown in Table 3. The total utilization for the Receive Module allows room for additions and/or improvements to the design.

Table 3: CoolRunner XPLA3 256-Macrocell Utilization for Receive

Resource	Available	Used	Utilization (%)
Macrocells	256	168	65.63
P-terms	768	465	60.55
I/O Pins	116	20	17.25

The Transmit module utilization in an XPLA 256-macrocell device is shown in Table 4. Again, the total utilization for the transmit portion of the design allows room for addition and/or improvements to the design.

Table 4: CoolRunner XPLA3-256 Macrocell Utilization for Transmit

Resource	Available	Used	Utilization (%)
Macrocells	256	118	46.10
P-terms	768	202	26.31
I/O Pins	116	20	17.25

## Design Verification

The design was verified in simulation and hardware implementation described previously in this document.

## VHDL Disclaimer and Download Instructions

VHDL source code and test benches are available for this design. THE DESIGN IS PROVIDED TO YOU "AS IS". XILINX MAKES AND YOU RECEIVE NO WARRANTIES OR CONDITIONS, EXPRESS, IMPLIED, STATUTORY, OR OTHERWISE, AND XILINX SPECIFICALLY DISCLAIMS ANY IMPLIED WARRANTIES OF MERCHANTABILITY, NON-INFRINGEMENT, OR FITNESS FOR A PARTICULAR PURPOSE. XILINX DOES NOT WARRANT THE PERFORMANCE, FUNCTIONALITY, OR OPERATION OF THIS DESIGN WILL MEET YOUR REQUIREMENTS, OR THAT THE OPERATION OF THE DESIGN WILL BE UNINTERRUPTED OR ERROR FREE, OR THAT DEFECTS IN THE DESIGN WILL BE CORRECTED. FURTHERMORE, XILINX DOES NOT WARRANT OR MAKE ANY REPRESENTATIONS REGARDING USE OR THE RESULTS OF THE USE OF THE DESIGN IN TERMS OF CORRECTNESS, ACCURACY, RELIABILITY OR OTHERWISE.

**XAPP358** - <http://www.xilinx.com/products/xaw/XAPP358.htm>

## Conclusion

This document has detailed the design of the CoolRunner CPLD logic for a wireless transceiver. The design is targeted for a 3.3V, 256 macrocell CoolRunner CPLD (XCR3256XL TQ144). This device, as well as the RF module discussed in this paper, has extremely low static and dynamic power dissipation and therefore is ideally suited for this application. The design of the CoolRunner wireless transceiver is also provided as an example of using a CoolRunner CPLD in a portable application and can be extended to many other types of portable applications

## References

1. Zetex Semiconductors Data Sheet - ZVNL110A N-Channel Enhancement Mode Vertical D(Double Diffused) MOS FET
2. USAR GreenCoder™ Evaluation Board Data Sheet - EVK5-FJL-7603-200
3. Anthes, John. "Unique Considerations for Data Radio UARTs." RF Monolithics, Inc.
4. RF Monolithics Data Sheet - DR3000 916.5 MHz Transceiver Module

## Acknowledgements

The CoolRunner wireless transceiver was developed with the senior design team (May 01) of the University of New Mexico (UNM), Electrical and Computer Engineering Department. Design team included: Erin Isaacson (Xilinx), Lisa Burckel (UNM), Jeremy Dencklau (UNM), Kristina Miller (UNM), Parveen Sidu (UNM).

Additional thanks to Jim Beneke, Dennis Schlaht, and Lara Kielytyka of Insight Electronics and Bruce DeVisser of Fujitsu Takamisawa who donated time and equipment to the transceiver project.

## Revision History

The following table shows the revision history for this document.

Date	Version	Revision
06/25/01	1.0	Initial Xilinx release.
10/01/02	1.1	Minor revisions
12/02/02	1.2	Updated link to the Fujitsu Takamisawa America, Inc. Keyboard