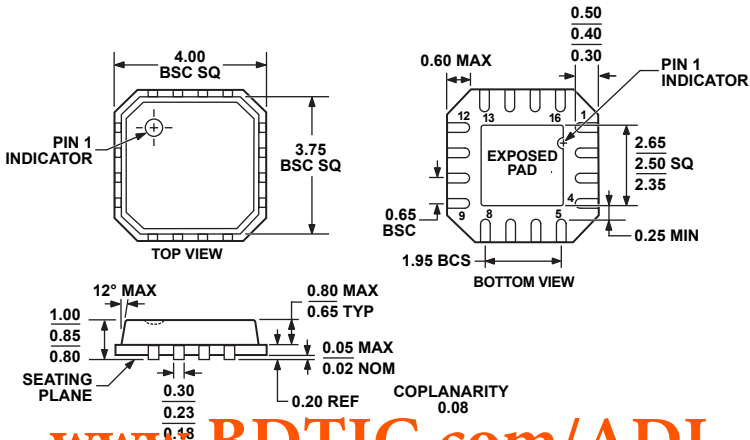


**16-Lead Lead Frame Chip Scale Package [LFCSP\_VQ]  
4 x 4 mm Body, Very Thin Quad  
(CP-16-13)**

Dimensions shown in millimeters



[www.BDTIC.com/ADI](http://www.BDTIC.com/ADI)

COMPLIANT TO JEDEC STANDARDS MO-220-VGGC.