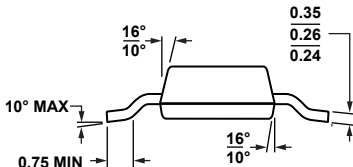
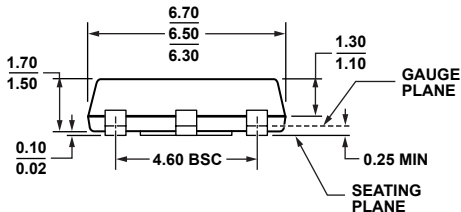
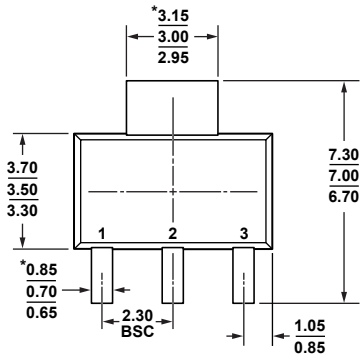


**3-Lead Small Outline Transistor Package [SOT-223]  
(KC-3)**

Dimensions shown in millimeters



**www.BDTIC.com/ADI**

\*DIMENSIONS TO JEDEC STANDARDS, TO 0.254 MM,  
WITH THE EXCEPTION TO LEAD WIDTH.