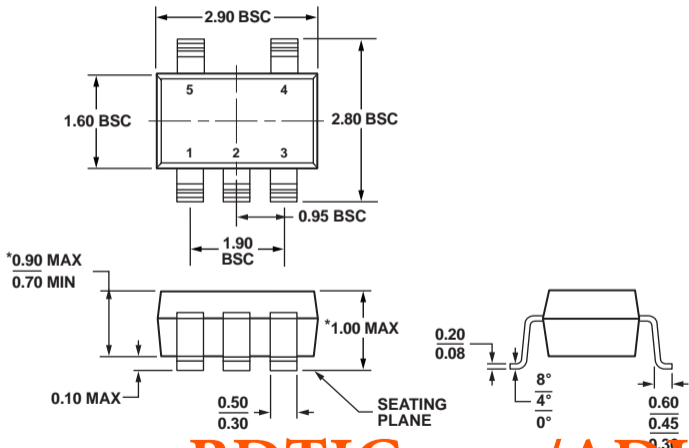


**5-Lead Thin Small Outline Transistor Package [TSOT]
(UJ-5)**

Dimensions shown in millimeters



www.BDTIC.com/ADI

COMPLIANT TO JEDEC STANDARDS MO-193-L, EXCEPT WITH
THE EXCEPTION OF PACKAGE HEIGHT AND THICKNESS.